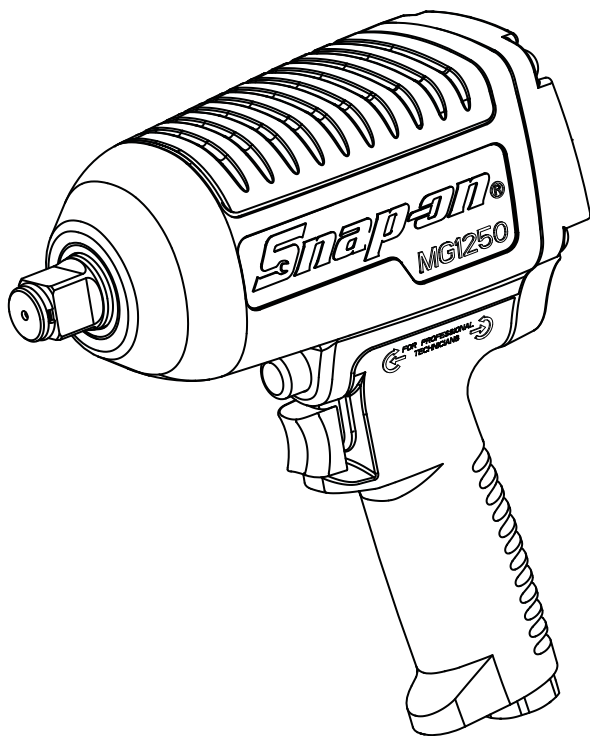




MG1250

Pneumatic Impact Wrench



- EN ORIGINAL INSTRUCTIONS
- NL VERTALING VAN DE OORSPRONKELIJKE GEBRUIKSAANWIJZING
- FR TRADUCTION DES INSTRUCTIONS ORIGINALES
- DE ÜBERSETZUNG DER ORIGINALANLEITUNGEN
- IT TRADUZIONE DELLE ISTRUZIONI ORIGINALI
- ES TRADUCCIÓN DE LAS INSTRUCCIONES ORIGINALES
- JA 原文説明書の翻訳



MG1250

Pneumatic Impact Wrench

SAFETY INFORMATION

Read these instructions carefully before installing, operating, servicing or repairing this tool. Keep these instructions in an accessible place.

Safety Messages

Snap-on Tools Company provides safety messages to cover reasonable situations that may be encountered when operating, servicing or repairing air tools. It is the responsibility of operators and servicing technicians to be knowledgeable about the procedures, tools and materials used, and to satisfy themselves that the procedures, tools and materials will not compromise their safety, that of others in the work place or the tool.

Power Tool Safety Messages

WARNING



Improper use of power tools and accessories can cause broken tools.

- **Read instructions before operating power tools.**
- **Be sure these instructions accompany the tool when passed from one user to a new or inexperienced user.**
- **Do not remove any labels. Replace all damaged labels.**

Broken tools can cause injury.



Power tools can cause flying particles during use.

- **Wear safety goggles, user and bystanders.**

Flying particles can cause injury.



Power tools generate noise.

- **Wear hearing protection, user and bystanders.**

Prolonged exposure to noise can cause hearing loss.



Power tools vibrate.

- **Avoid prolonged exposure to vibration, repetitive motions and uncomfortable positions.**
- **Stop using the tool if discomfort, tingling feeling or pain occurs. Seek medical advice before resuming use.**

Prolonged exposure to vibration, repetitive motions and uncomfortable positions can cause injury.



Risk of contamination from hazardous dust.

- **Wear an approved dust mask or respirator when using power tools that create dust.**
- **Some dust created by power sanding, sawing, grinding, drilling and other construction activities contains chemicals known to cause cancer, birth defects or other reproductive harm.**

Inhaling hazardous dust can cause injury.

Sudden changes in motion or position can occur while using the tool.

- **Anticipate and be alert for changes in motion during start up and operation.**
- **Maintain a secure grip.**
- **Anticipate reaction force. Adjust your stance and hold tool securely.**
- **Observe the position of the reverse mechanism before operating the tool and be aware of rotation direction when you press the trigger.**

Sudden changes in motion or position can cause injury.



Risk of entanglement.

- **Keep body parts away from moving parts.**
- **Do not wear loose clothing and jewelry while operating tool.**
- **Wear protective hair covering to contain long hair.**
- **Do not carry tool with your finger on the trigger.**
- **Remove adjusting keys or wrenches before turning the tool on.**
- **Do not lock, tape, wire, etc., the trigger in the ON position.**
- **Keep handle dry, clean and free from oil and grease.**
- **Always shut off air supply and disconnect tool from air supply when changing accessories.**

Entanglement can cause injury.



Flammable vapors can explode.

- **Do not use near flammable vapors or near a gas line or gas tank.**
- **Direct tool exhaust air away from flames or hot surfaces.**
- **Do not lubricate tools with flammable or volatile liquids such as kerosene, diesel or jet fuel.**
- **Use only recommended lubricants.**

Explosion and flames can cause injury.

Lubricating oil is discharged with exhaust air.

- **Operate tool in a well-ventilated area.**
- **Avoid breathing exhaust air.**

Breathing air with oil mist can cause injury.



Electricity can cause electric shock.

- Do not use on or near live electrical circuits, or under the influence of medication, drugs or alcohol.
- This tool is not insulated against electrical shock.

Electric shock can cause injury.

Work area can contain hazards.

- Keep work area clean and well lit.
- Stay alert and use common sense when operating tool. Do not operate when fatigued, or under the influence of medication, drugs or alcohol.
- Before using the tool, make sure that a shutoff device has been fitted on the supply line and the location is well-known and easily accessible so that the air supply to the tool can be shut off in an emergency.
- Never lay a tool down until the attachment has stopped moving.
- Do not overreach. Keep proper footing and balance at all times.
- Do not allow bystanders to contact tool.
- Keep bystanders at a safe distance from the work area.
- Wear appropriate protective apparel, users and bystanders.
- Direct exhaust air to avoid blowing air or debris from the workpiece onto the user or bystanders.
- When operating in heights, be aware of things below and around you.
- When tool is not in use, shut off the air supply and press trigger or lever to relieve air pressure.
- If tool is not to be used for a period of time, lubricate it, disconnect it from the air supply line and store it in a dry place with moderate temperature.
- Store tools when not being used in a high, dry and locked area that can not be accessed by children.

Work area hazards can cause injury.

Risk of whipping compressed air hoses.

- Attach air lines securely.
- Check the air hose and fittings regularly for wear.
- Do not connect quick-connect couplings directly to the tool.
- Use a whip air hose no longer than 60" (150 cm).

Whipping compressed air hose can cause injury.

Untrained users can create hazards.

- Secure work with a clamp or a vise whenever possible.
- Use the right tool. Do not use a tool that is too light or too heavy for the work.
- Do not force tool.
- Operate air tools at 90 psig (6.2 bar, 620 kPa) maximum air pressure.
- It is expected that users adopt safe working practices and observe all local, regional or country legal requirements when installing, using or maintaining this tool.

Improper use can cause injury.

Improper repairs or lack of maintenance can create hazards.

- Do not modify or make temporary repairs. Use only genuine Snap-on replacement parts for maintenance and repair. Servicing and repairs should be performed only by trained personnel.
- Do not use the tool if it vibrates too much, makes unusual noises, has loose parts, or shows any other sign of damage.
- If tool malfunctions, discontinue use and immediately arrange for service and repair. If it is not practical to remove the tool from service, shut off the tool air supply, write a warning tag and attach the tag to the tool.
- Do not remove any manufacturer fitted safety devices (e.g., wheel guards, safety trigger, speed governors).
- If this tool becomes damaged beyond repair, disassemble and degrease the tool. Then separate all parts by material type and recycle.

Improper parts, repair or maintenance can cause injury.

Impact Wrench Safety Messages

WARNING

Using damaged and incorrect sockets or accessories can cause flying particles.

- Do not use chipped, cracked or damaged sockets or accessories.
- Use only impact sockets and accessories.
- Periodically check the force to pull-off a socket from the square. Inadequate pull-off force may allow the socket to come off when rotating.
- Use only ball-joint flexible sockets. Do not use square block type flex sockets.

Flying particles can cause injury.

Risk of personal injury.

- An impact wrench is not a torque control device.
- Do not use an impact wrench for torque control.
- Use a torque wrench for torque control.

Improperly torqued fasteners can cause equipment damage that may result in personal injury.

SAVE THESE INSTRUCTIONS

Specifications

Specifications at 90 psig (6.2 bar, 620 kPa)

Square Drive Size 3/4"
Torque
Clockwise (F) 1150 lbs. ft. (1559 N•m)
Counterclockwise (R) ... 1250 lbs. ft. (1695 N•m)
Recommended Air Pressure
..... 90 psig (6.2 bar, 620 kPa), maximum
Air Consumption, Free Speed .. 6.4 cfm (46 SCFM)
RPM, Free Speed CCW 6,200
Blows per Minute 1,050
Air Inlet Thread Size 3/8"–18 NPT
Air Supply Hose Size 3/8" (9.5 mm) ID min
Bolt Breakaway Torque.... 1350 lbs. ft. (1830 N•m)

Dimensions

Height 9.50" (24.1 cm)
Length 8.15" (20.7 cm)
Width 3.25" (8.3 cm)
Weight 8.11 lbs (3.68 kg)

Noise * (Tested in accordance with ISO 15744)

Sound Pressure Level (A) 99.8 dB
Uncertainty, K 3.0 dB
Sound Power Level (A) 111.4 dB
Uncertainty, K 3.0 dB

Vibration * (Tested in accordance with ISO 28927)

Vibration Level 10.38 m/s²
Uncertainty, K 1.87 m/s²

**These declared values were obtained by laboratory type testing with the stated standards and are not adequate for use in risk assessments. Values measured in individual work places may be higher. Values and risk of harm experienced by an individual user are unique and depend upon the environment and manner in which the user works, the work piece and the workstation design, as well as upon the exposure time and the physical condition of the user.*

We, Snap-on Tools Company, cannot be held liable for the consequences of using the declared values, instead of values reflecting the actual exposure determined in an individual risk assessment in a work place situation over which we have no control.

Applications

The **Snap-on** MG1250 Impact Wrench is ideal for a wide variety of fastener turning jobs in both automotive and industrial fields. When used with **Snap-on** impact sockets, they provide power and speed for greater job efficiency and less operator fatigue. Applications include assembly line operations, removal of rusted-on nuts and bolts and many other specialized uses.

Air Supply

Air tools operate best on clean, moisture-free, well-lubricated air at a constant pressure of 90 psig (6.2 bar, 620 kPa) maximum.

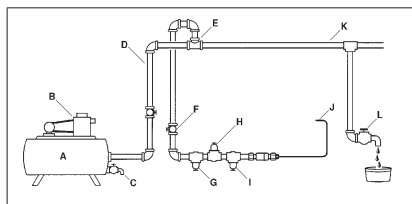


Figure 1: Air Supply

- A – Receiver Tank, Minimum 40 Gallon (151.5 liters)
- B – Compressor, Sufficient Capacity
- C – Drain, Daily
- D – Pipe and Fittings, Minimum 1/2"
- E – Top Air Intake
- F – Shut Off Valve, Easily Reached
- G – Filter
- H – Air Regulator, Set at Working Pressure
- I – Lubricator
- J – Air Tool Connection
- K – Low Spot, Water Trap
- L – Drain, Daily

Piping System

The piping system should be large enough to avoid an excessive pressure drop under maximum flow conditions. All pipe fittings and hose outlets should be 1/2" and should be arranged so there are no low spots that collect water which cannot be drained daily. Do not use an air hose less than 3/8" ID or one that is too long because pressure drop under maximum flow conditions could reduce performance.

- ✓ Accessories are available for air tight connections.

Air Compressor

The air compressor should have sufficient capacity to deliver 6.4 cfm (46 SCFM) at 90 psig (6.2 bar, 620 kPa) at each outlet while the tool is running. The receiver tank should have sufficient capacity to provide surge balance for each air tool.

Filter

The **Snap-on** AHR424 Filter, or equivalent, should be used to assure clean air for the tool. Water, dirt and scale act as abrasives which could damage the air tool. A filter unit should be installed between the compressor and the air regulator and air lubricator.

Air Regulator

Regulated air pressure is necessary for proper performance of the air impact wrench. The **Snap-on** AHR426 Regulator, or equivalent will adjust and maintain the recommended air pressure of 90 psig (6.2 bar, 620 kPa). Pressure less than this reduces efficiency, while pressure greater than this increases blows and speed beyond the rated capacity—creating potential hazards and possible damage to the air impact wrench. Check the air pressure at the regulator while using the impact wrench in a normal manner.

Air Line Lubricator

- ✓ Do not use a heavy grade of oil because stalling and low performance will result.

The preferred method of lubricating the air impact wrench motor is to use an air line lubricator such as the **Snap-on** AHR428 Lubricator. It should be filled with **Snap-on** IM6 Air Motor Oil or a good grade of SAE 10W oil.

If an air line lubricator is not used, lubricate the air motor by injecting approximately 1/8 oz (3.75 ml) of IM6 Air Motor Oil into the air inlet of the wrench each day before using it. IM6 Oil is specially formulated for air tools and no flushing solvent is needed.

Oil Reservoir

The impact mechanism chamber is sealed at the factory and should not require any additional oil.

Air Strainer

An air strainer is built into the removable air inlet bushing located at the rear of the impact wrench. To clean, remove the bushing and use an air hose to blow dirt and other particles from the screen and bushing. Before reinstalling the air inlet bushing, check the O-ring for damage. If it is damaged, replace it with a new O-ring to prevent air leakage. Torque reinstalled air inlet bushing to 50–55 lbs. ft. (68–75 N•m).

Impact Power/Frequency Regulator

Torque output is governed by the air line pressure, the regulator setting and the time spent working. An air line pressure of 90 psig (6.2 bar, 620 kPa) is recommended.

This regulator is located on the back of the wrench and regulates the power and frequency of the impact blows in forward direction only. It has three settings (low, medium, high) as indicated on back of tool.

Forward / Reverse Lever

The forward/reverse lever is located in the middle of the wrench above the trigger. For forward (clockwise) anvil rotation, push lever towards front of tool. For reverse (counterclockwise) rotation, push lever towards back of tool.

Socket Retainer

WARNING

Disconnect the air hose before changing sockets.

This air impact wrench features a steel locking ring for retaining all types of impact sockets. The ring holds them in place by friction. It will be necessary to replace the ring periodically when the force to remove the socket falls below four (4) lbs for a 3/8" square drive.

Service Instructions

- ✓ Refer to Figure 2 for parts listing. Use only genuine **Snap-on** replacement parts for maintenance and repair. Servicing and repairs should be performed only by trained personnel. Repair parts and service manual available through your authorized **Snap-on** representative.



VEILIGHEIDSINFORMATIE

Lees deze gebruiksaanwijzing aandachtig voordat u dit gereedschap installeert, bedient of er onderhoud of reparaties aan uitvoert. Bewaar deze gebruiksaanwijzing op een gemakkelijk bereikbare plaats.

Veiligheidsinstructies

Snap-on Tools Company biedt veiligheidsaanwijzingen voor situaties die redelijkerwijs kunnen ontstaan tijdens gebruik, onderhoud of reparatie van persluchtgereedschap. Het is de verantwoordelijkheid van gebruikers en onderhoudsmonteurs om de procedures en het gebruikte gereedschap en de gebruikte materialen goed te kennen en om zelf te controleren of de procedures, het gereedschap en de materialen geen negatieve gevolgen zullen hebben voor hun eigen veiligheid, die van anderen in de werkomgeving en van het gereedschap.

Veiligheidsaanwijzingen voor elektrisch en/of pneumatisch gereedschap



WAARSCHUWING



Elektrisch c.q. pneumatisch gereedschap en accessoires kunnen door onjuist gebruik defect raken.

- Lees de gebruiksaanwijzing voordat u elektrisch en/of pneumatisch gereedschap bedient.
- Zorg dat deze gebruiksaanwijzing bij het gereedschap blijft wanneer de gebruiker het aan een nieuwe of onervaren gebruiker doorgeeft.
- Verwijder geen etiketten. Vervang alle beschadigde etiketten.

Defect gereedschap kan letsel veroorzaken.



Elektrisch en/of pneumatisch gereedschap kan tijdens het gebruik rondvliegende deeltjes veroorzaken.

- Draag een veiligheidsbril, dit geldt zowel voor gebruiker als omstanders.

Rondvliegende deeltjes kunnen letsel veroorzaken.



Elektrisch en/of pneumatisch gereedschap maakt lawaai.

- Draag gehoorbescherming, dit geldt zowel voor gebruiker als omstanders.

Langdurige blootstelling aan lawaai kan leiden tot gehoorverlies.



Elektrisch en/of pneumatisch gereedschap trilt.

- Vermijd langdurige blootstelling aan trilling, herhaalde bewegingen en ongemakkelijke houdingen.
- Staak het gebruik van het gereedschap als u ongemak, een tintelend gevoel of pijn ondervindt. Raadpleeg een arts voordat u het gereedschap weer gebruikt.

Langdurige blootstelling aan trilling, herhaalde bewegingen en ongemakkelijke houdingen kan letsel veroorzaken.



Besmettingsgevaar door gevaarlijk stof.

- Draag een goedgekeurd stofmasker of ademhalingsapparaat bij gebruik van elektrisch en/of pneumatisch gereedschap dat stof produceert.
- Sommige soorten stof die worden geproduceerd door elektrisch en/of pneumatisch schuur-, zaag-, slijp- en boorgereedschap of andere bouwwerkzaamheden bevatten chemische stoffen waarvan bekend is dat deze kanker, geboortefwijkingen of ander letsel van de voortplantingsfuncties veroorzaken.

Inademen van gevaarlijke stof kan letsel veroorzaken.

Er kunnen plotselinge veranderingen van beweging of positie ontstaan tijdens het gebruik van het gereedschap.

- Anticipeer en wees alert op bewegingsveranderingen tijdens starten en gebruik.
- Houd het gereedschap goed vast.
- Anticipeer op reactiekrachten. Pas uw houding aan en houd het gereedschap stevig vast.
- Kijk naar de stand van het omkeermechanisme voordat u het gereedschap gebruikt en wees u bewust van de draairichting als u de bedieningsknop indrukt.

Plotselinge veranderingen van beweging en positie kunnen letsel veroorzaken.



Gevaar van verstriking.

- Houd lichaamsdelen uit de buurt van bewegende delen.
- Draag geen losse kleding of sieraden wanneer u het gereedschap gebruikt.
- Draag haarbescherming om lang haar weg te stoppen.
- Draag het gereedschap niet met uw vinger op de knop.
- Verwijder stel- of moersleutels voordat u het gereedschap inschakelt.
- Zet de knop niet met tape, draad etc. vast in de AAN-stand.
- Houd het handvat droog, schoon en vrij van olie en vet.
- Schakel de luchttoevoer altijd uit en koppel het gereedschap los van de luchttoevoer als u accessoires vervangt.

Verstriking kan letsel veroorzaken.



Ontvlambare dampen kunnen ontploffen.

- Niet gebruiken in de buurt van ontvlambare dampen of een gasleiding of gastank.
- Richt de afvoerlucht van het gereedschap niet op vlammen of hete oppervlakken.
- Smeer het gereedschap niet met ontvlambare of vluchtige vloeistoffen zoals kerosine, diesel of vliegtuigbrandstof.
- Gebruik alleen aanbevolen smeermiddelen.

Explosie en vlammen kunnen letsel veroorzaken.

Er wordt smeerolie uitgeblazen met de afvoerlucht.

- Gebruik het gereedschap in een goed geventileerde ruimte.
- Voorkom inademing van de afvoerlucht.

Inademen van lucht met oliedamp kan letsel veroorzaken.



Electriciteit kan een elektrische schok veroorzaken.

- Niet gebruiken op of in de buurt van onder spanning staande elektrische circuits of wanneer u onder de invloed van medicijnen, drugs of alcohol bent.
- Dit gereedschap is niet geïsoleerd tegen elektrische schokken.

Elektrische schokken kunnen letsel veroorzaken.

De werkomgeving kan gevaren bevatten.

- Houd de werkomgeving schoon en goed verlicht.
- Blijf alert en gebruik uw gezonde verstand tijdens het gebruik van het gereedschap. Niet gebruiken als u vermoeid bent, of onder de invloed van geneesmiddelen, drugs of alcohol.
- Controleer voordat u het gereedschap gebruikt of de voedingsleiding is uitgerust met een afsluiter en zorg dat deze plaats goed bekend en gemakkelijk toegankelijk is zodat de luchttoevoer naar het gereedschap in een noodsituatie kan worden afgesloten.

- Leg een gereedschap nooit neer voordat het hulpstuk tot stilstand is gekomen.
- Reik niet te ver. Zorg altijd voor het juiste houvast en evenwicht.
- Sta niet toe dat omstanders het gereedschap aanraken.
- Houd omstanders op een veilige afstand van de werkomgeving.
- De gebruiker en omstanders moeten passende beschermende kleding dragen.
- Richt de afvoerlucht zo dat deze lucht en het afval niet van het werkstuk naar de gebruiker of omstanders toe worden geblazen.
- Let bij het werken op hoogte op dingen onder en rondom u.
- Als het gereedschap niet wordt gebruikt, schakel de luchttoevoer dan uit en druk de knop in om de luchtdruk te laten ontsnappen.
- Als het gereedschap langere tijd niet wordt gebruikt, moet het worden gesmeerd, van de luchttoevoerleiding worden losgekoppeld en op een droge plaats met gemiddelde temperatuur worden bewaard.
- Bewaar ongebruikt gereedschap op een hoge, droge en vergrendelde plaats die voor kinderen niet toegankelijk is.

Gevaren in de werkomgeving kunnen letsel veroorzaken.

Risico van rondzwaaiende persluchtsslangen.

- Maak luchtleidingen stevig vast.
- Controleer de luchtslang en -aansluitingen regelmatig op slijtage.
- Sluit snelkoppelingen niet direct aan op het gereedschap.
- Gebruik een zwaaibestendige luchtslang van ten hoogste 150 cm (60 inch).

Rondzwaaiende persluchtsslang kan letsel veroorzaken.

Onervaren gebruikers kunnen gevaren veroorzaken.

- Zet het werk(stuk), waar mogelijk, vast met een klem of bankschroef.
- Gebruik het juiste gereedschap. Gebruik geen gereedschap dat te licht of te zwaar is voor het werk.
- Forceer het gereedschap niet.
- Gebruik pneumatisch gereedschap met een maximale luchtdruk van 6,2 bar, 620 kPa (90 psig).
- Gebruikers worden geacht veilig te werken en te voldoen aan alle plaatselijke, regionale of nationale wettelijke eisen tijdens de installatie, het gebruik of het onderhoud van dit gereedschap.

Verkeerd gebruik kan letsel veroorzaken.

Verkeerde reparaties of gebrek aan onderhoud kunnen gevaaren veroorzaken.

- **Breng geen wijzigingen aan en voer geen tijdelijke reparaties uit.** Gebruik alleen oorspronkelijke *Snap-on* reserveonderdelen voor onderhoud en reparatie. Onderhoud en reparaties mogen alleen door daartoe getraind personeel worden uitgevoerd.
- Gebruik het gereedschap niet als het te veel trilt, ongewone geluiden maakt, losse onderdelen heeft of andere tekenen van beschadiging vertoont.
- Als het gereedschap niet goed werkt, stop dan met het gebruik en zorg onmiddellijk voor onderhoud en reparatie. Als het niet praktisch is om het gereedschap buiten bedrijf te stellen, moet de luchttoevoer naar het gereedschap worden uitgeschakeld en moet een waarschuwingslabel worden geschreven en aan het gereedschap worden bevestigd.
- Verwijder geen door de fabrikant aangebrachte veiligheidsvoorzieningen (bijv. wielkappen, veiligheidsknoppen, toerentalregelaars).
- Als dit gereedschap beschadigd raakt en niet meer kan worden gerepareerd, moet het gedemonteerd en ontvet worden. Scheid vervolgens alle onderdelen op basis van materiaaltipe en recycle ze.

Onjuiste onderdelen, reparatie of onderhoud kunnen letsel veroorzaken.

Veiligheid m. b. t. slagmoersleutel



WAARSCHUWING

Het gebruik van beschadigde en onjuiste doppen of accessoires kan leiden tot rondvliegende deeltjes.

- Gebruik geen gebroken, gebarsten of beschadigde doppen of accessoires.
- Gebruik uitsluitend slagbestendige doppen en accessoires.
- Controleer geregeld de kracht die nodig is om een dop van het vierkant los te trekken. Als de lostrekkraft niet voldoet, kan de dop tijdens het draaien loskomen.
- Gebruik uitsluitend flexibele doppen met kogelgewicht. Gebruik geen flexibele vierkantblokdoppen.

Rondvliegende deeltjes kunnen letsel veroorzaken.

Risico van lichamelijk letsel.

- Een slagmoersleutel is geen gereedschap om het draaimoment te controleren.
- Gebruik een slagmoersleutel niet om het draaimoment te controleren.
- Gebruik een mommentsleutel om het draaimoment te controleren.

Bevestigingsmiddelen die niet juist zijn aangedraaid, kunnen schade aan de uitrusting veroorzaken die lichamelijk letsel tot gevolg kan hebben.

BEWAAR DEZE GEBRUIKS-AANWIJZING

Specificaties

Specificaties bij 6,2 bar/620 kPa (90 psig)

Maat aandrijfvierkant	19 mm
Draaimoment	
Rechtsom (F)	1559 N•m
Linksom (R)	1695 N•m
Aanbevolen luchtdruk .. 6,2 bar/620 kPa maximaal	
Luchtverbruik, onbelast	46 SCFM
Onbelast toerental linksom	6.200
Slagen per minuut	1.050
Maat luchtinlaatschroefdraad	9,5 mm -18 NPT
Maat luchttoevoerslang	
.....binnendiam. min. 9,5 mm	
Loskoppeltorsiebout	1830 N•m

Afmetingen

Hoogte	24,1 cm
Lengte	20,7 cm
Breedte	8,3 cm
Gewicht	3,68 kg

Geuid* (getest volgens ISO 15744)

Geluidsdrukniveau (A)	99,8 dB
Onzekerheid, K	3,0 dB
Geluidsvermogensniveau (A)	111,4 dB
Onzekerheid, K	3,0 dB
Trilling* (getest volgens ISO 28927)	
Trillingsniveau	10,38 m/s ²
Onzekerheid, K	1,87 m/s ²

**De hierboven vermelde waarden werden verkregen via laboratoriumtests volgens de aangegeven normen en zijn onvoldoende om risico's te beoordelen. De in individuele werkplaatsen gemeten waarden kunnen hoger zijn. De waarden en het risico op letsel die een persoonlijke gebruiker ervaart, zijn uniek en afhankelijk van de omgeving en de werkwijze van de gebruiker, van het werkstuk en van het ontwerp van het werkstation, alsmede van de blootstellingstijd en lichamelijke conditie van de gebruiker.*

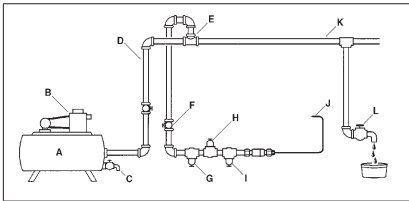
Snap-on Tools Company kan niet aansprakelijk worden gesteld voor de gevolgen van het gebruik van de hierboven vermelde waarden, in plaats van waarden die de feitelijke in een afzonderlijke risicobeoordeling vastgestelde waarden weergeven in een werkomgeving waarvoor wij geen enkele controle hebben.

Toepassingen

De **Snap-on** MG1250 slagmoersleutel is ideaal voor het aandraaien van allerlei automobiel- en industriële bevestigingsmiddelen. Wanneer de pneumatische slagmoersleutel worden gebruikt met **Snap-on** slagmoerdompen, leveren zij de kracht en snelheid om het werk efficiënt te doen en ervoor te zorgen dat de operator minder snel moe wordt. Toepassingen zijn o.a. lopende-bandwerk, losdraaien van vastgeroeste moeren en bouten en vele andere gespecialiseerde toepassingen.

Luchttoevoer

Pneumatisch gereedschap werkt het best met schone, vochtvrije, goed gesmeerde lucht bij een constante druk van maximaal 6,2 bar, 620 kPa (90 psig).



Afbeelding 1: Luchttoevoer

- A – Luchtreservoir, minimaal 151,5 liter (40 gallon)
- B – Compressor, voldoende capaciteit
- C – Aftappen, dagelijks
- D – Pijp en koppelingen, minimaal 12,7 mm (1/2 inch)
- E – Bovenste luchtinlaat
- F – Afsluiters, gemakkelijk te bereiken
- G – Filter
- H – Luchtregelaar, ingesteld op werkdruk
- I – Smeerinrichting
- J – Aansluiting voor pneumatisch gereedschap
- K – Laag punt, waterafscheider
- L – Aftappen, dagelijks

Leidingsysteem

Het leidingsysteem moet groot genoeg zijn om een overmatige drukdaling te voorkomen onder maximale doorstroomomstandigheden. Alle leidingkoppelingen en slanguitlaten moeten 12,7 mm (1/2 inch) zijn en moeten zo zijn aangelegd dat er geen lage plekken zijn waar zich water kan verzamelen dat niet dagelijks kan worden afgetapt. Gebruik geen luchtslang met een binnendiameter van minder dan 9,5 mm (3/8 inch) of een luchtslang die te lang is, omdat een drukdaling onder maximale doorstroomomstandigheden de prestaties kan verminderen.

- ✓ Er zijn accessoires verkrijgbaar voor luchtdichte verbindingen.

Luchtcompressor

De luchtcompressor moet voldoende vermogen hebben om op elke aansluiting 6,4 cfm (46 SCFM) te leveren bij een druk van 6,2 bar, 620 kPa (90 psig) tijdens het gebruik van het gereedschap. Het luchtreservoir moet groot genoeg zijn om bij elk pneumatisch gereedschap voor schommelingen in de luchttoevoer te compenseren.

Filter

Het **Snap-on** AHR424 filter (of een gelijkwaardig filter) dient gebruikt te worden om het gereedschap van schone lucht te voorzien. Water, vuil en aanslag fungeren als schuurmiddel en kunnen het pneumatische gereedschap beschadigen. Er dient een filter te worden geïnstalleerd tussen de compressor en de luchtregelaar en luchtsmeerinrichting.

Luchtregelaar

Gereguleerde luchtdruk is nodig voor de juiste prestaties van de pneumatische slagmoersleutel. De **Snap-on** AHR426 regelaar of het equivalent hiervan past de luchtdruk aan en handhaaft deze op de aanbevolen druk van 6,2 bar/620 kPa. Bij een lagere druk neemt de goede werking af, terwijl bij een hogere druk het toerental boven het nominale vermogen stijgt—dit brengt mogelijke gevaren met zich mee en kan de pneumatische slagmoersleutel beschadigen. Controleer de luchtdruk bij de regelaar terwijl de pneumatische slagmoersleutel op normale wijze wordt gebruikt.

Luchtleidingvernevelaar

- ✓ Gebruik geen olie van een zware kwaliteit, want deze kan de motor doen afslaan of de prestaties verminderen.

De methode die de voorkeur verdient voor de smering van de motor van de pneumatische slagmoersleutel is het gebruik van een luchtleidingvernevelaar zoals de **Snap-on** AHR428 vernevelaar. Deze moet gevuld worden met **Snap-on** IM6 luchtmotorolie of olie van een goede SAE 10W kwaliteit.

Indien geen luchtleidingvernevelaar wordt gebruikt, moet de persluchtmotor gesmeerd worden door dagelijks vóór het gebruik 3,75 ml IM6 persluchtmotorolie in de luchtinlaat van de pneumatische slagmoersleutel te spuiten. IM6 olie is speciaal geformuleerd voor persluchtgereedschap en er is geen spoelolpmsmiddel nodig.

Oliereservoir

De kamer van het slagmechanisme is in de fabriek afgesloten en dient niet met olie gevuld te worden.

Luchtzeef

Er is een luchtzeef in de uitneembare luchtinlaatbus ingebouwd, die zich aan de achterzijde van de pneumatische slagmoersleutel bevindt. Verwijder de bus om hem te reinigen en blaas met een luchtslang vuil en andere deeltjes uit de zeef en de bus. Controleer de O-ring op beschadiging voordat u de luchtinlaatbus weer aanbrengt. Als deze beschadigd is, vervangt u hem door een nieuwe O-ring om luchtlekkage te voorkomen. Draai de aangebrachte luchtinlaatbus aan tot 68–75 N•m.

Slagkracht/ frequentieregelaar

Het koppelvermogen wordt geregeld door de luchtleidingdruk, de regelaarinstelling en de tijddat wordt gewerkt. Een luchtleidingdruk van 6,2 bar/620 kPa wordt aangeraden. Deze regelaar bevindt zich aan de achterkant van de sleutel en regelt de kracht en frequentie van de impactslagen alleen in voorwaartse richting. Er zijn drie instellingen mogelijk (laag, medium, hoog) zoals aangeduid op achterkant van sleutel.

Vooruit-/achteruithendel

De vooruit/achteruit hefboom bevindt zich in het midden van de sleutel boven de trekker. Om het aambeeld vooruit (in wijzerzin) te doen draaien, duw de hefboom in de richting van de voorkant van de sleutel. Voor omgekeerd (in tegenwijzerzin) draaien, duw hefboom in de richting van de achterkant van de sleutel.

Dopsleutelhouder



WAARSCHUWING

Koppel de luchtslang los voordat u van dopsleutel verwisselt.

Deze pneumatische slagmoersleutel heeft een metalen borgring voor het borgen van allerlei soorten krachtdoppen. De ring houdt ze door wrijving op hun plaats. De ring dient periodiek te worden vervangen wanneer de kracht om de dopsleutel te verwijderen onder vier 1,8 kg komt voor een 9,5 mm aandrijfvierkant.

Onderhoudsinstructies

- ✓ Zie Afb. 2 voor een onderdelenlijst. Gebruik alleen oorspronkelijke **Snap-on** reserveonderdelen voor onderhoud en reparatie. Onderhoud en reparaties mogen alleen door daartoe getraind personeel worden uitgevoerd. Reparatieonderdelen en een onderhoudshandleiding zijn verkrijgbaar via uw erkende **Snap-on** vertegenwoordiger.



MG1250

Clé à chocs pneumatique

INFORMATIONS DE SÉCURITÉ

Lisez attentivement ces instructions avant d'installer, d'utiliser, d'entretenir ou de réparer cet outil. Conservez ces instructions dans un endroit accessible.

Consignes de sécurité

La société d'outillage **Snap-on** fournit des messages de sécurité qui couvrent les situations que l'utilisateur peut raisonnablement rencontrer lors du fonctionnement, de l'entretien ou de la réparation des outils à air comprimé. Il est de la responsabilité des opérateurs et des techniciens d'entretien de connaître ces procédures, ainsi que les outils et les matériaux utilisés, et de s'assurer que les procédures, les outils et les matériaux ne compromettent pas leur propre sécurité, celles des autres personnes présentes sur le lieu de travail ainsi que l'intégrité de l'outil.

Messages de sécurité relatifs aux outils mécaniques



AVERTISSEMENT



Mal utilisés, les outils mécaniques et leurs accessoires peuvent casser.

- Lisez les instructions avant d'utiliser des outils mécaniques.
- Assurez-vous que ces instructions accompagnent l'outil et sont remises avec lui à un nouvel utilisateur, ou à quelqu'un d'inexpérimenté.
- N'enlevez aucune des étiquettes. Remplacez toute étiquette endommagée.

Un outil cassé peut causer des blessures.



Les outils mécaniques peuvent être à l'origine de projections.

- **Opérateur et observateurs : portez des lunettes de sécurité !**

Les projections peuvent causer des blessures.



Les outils mécaniques font du bruit.

- **Opérateur et observateurs : portez une protection auditive !**

L'exposition prolongée au bruit peut causer la perte de l'ouïe.



Les outils mécaniques vibrent.

- **Évitez toute exposition prolongée aux vibrations et aux mouvements répétitifs, et évitez les positions inconfortables.**
- **Cessez d'utiliser l'outil en cas de gêne, de picotement ou de douleur. Consultez un médecin avant d'en reprendre l'utilisation.**

Une exposition prolongée aux vibrations, des mouvements prolongés et des positions inconfortables risquent de causer des blessures.



Risque de contamination par poussières dangereuses.

- **Portez un masque anti-poussière ou un masque respiratoire approuvé lors de l'utilisation d'outils qui génèrent de la poussière.**
- Certaines poussières générées par le ponçage, le sciage, le meulage, le perçage et autres activités liées à la construction contiennent des produits chimiques qui peuvent provoquer des cancers, des déficiences congénitales et autres troubles de la reproduction.

L'inhalation de poussières dangereuses peut provoquer des blessures corporelles.

Des changements soudains de mouvement ou de position peuvent se produire pendant l'utilisation de l'outil.

- **Restez alerte et anticipez les changements de direction au moment de la mise en route et pendant le fonctionnement.**
- **Maintenez l'outil fermement.**
- **Anticipez la force de réaction. Ajustez votre posture et maintenez l'outil fermement.**
- **Vérifiez la position du mécanisme d'inversement du sens de rotation avant de faire fonctionner l'outil pour savoir dans quel sens la rotation va s'effectuer lors de la dépression de la gâchette.**

Les changements soudains de mouvement ou de position peuvent provoquer des blessures.



Risque d'enchevêtrement.

- Maintenez une bonne distance entre l'outil et les parties du corps.
- Ne portez pas de vêtements flottants ou de bijoux lors de l'utilisation de l'outil.
- Portez une protection retenant les cheveux longs.
- Ne transportez pas l'outil avec le doigt sur la gâchette.
- Enlevez les clés de réglage ou autres avant de faire fonctionner l'outil.
- N'utilisez pas de ruban adhésif, de fil ou autre dispositif pour bloquer la gâchette en position MARCHÉ.
- Assurez-vous que la poignée de l'outil est toujours sèche et exempte d'huile ou de graisse.
- Coupez toujours l'alimentation en air comprimé et débranchez l'outil du tuyau d'arrivée d'air avant de changer les accessoires.

L'enchevêtrement peut provoquer des blessures.



Les vapeurs inflammables risquent de causer une explosion.

- N'utilisez pas l'outil à proximité de vapeurs inflammables ou à proximité d'une conduite ou d'un réservoir de gaz.
- Dirigez la sortie d'air de l'outil pour qu'elle ne soit pas orientée en direction de flammes ou de surfaces brûlantes.
- Ne lubrifiez pas l'outil avec des liquides inflammables tels que du pétrole, du gazole ou du kérosène.
- N'utilisez que les lubrifiants recommandés.

Une explosion ou un incendie peut provoquer des blessures.

L'air d'échappement de l'outil est chargé d'huile de graissage.

- N'utilisez l'outil que dans un endroit bien aéré.
- Évitez de respirer l'air expulsé de l'outil.

Inhaler de l'air chargé de brouillards d'huile peut causer des lésions.



L'électricité peut causer des décharges électriques.

- N'utilisez pas l'outil sur ou à proximité de circuits électriques, ni sous l'influence de médicaments, de drogue ou d'alcool.
- Cet outil n'est pas isolé contre les risques d'électrocution.

Une décharge électrique peut causer des lésions.

Le lieu de travail peut comporter des dangers.

- Maintenez l'espace de travail propre et bien éclairé.
- Restez alerte et usez de bon sens lors de l'utilisation de l'outil. N'utilisez pas l'outil si vous êtes fatigué, sous l'influence de médicaments, de drogue ou d'alcool.

- Avant d'utiliser l'outil, assurez-vous qu'une vanne d'arrêt d'urgence a été installée sur la conduite d'alimentation en air comprimé, que son emplacement est connu et facilement accessible de sorte que l'arrivée d'air comprimé qui alimente l'outil puisse être coupée en cas d'urgence.
- Ne posez jamais l'outil avant qu'il ne soit à l'arrêt complet.
- N'utilisez pas l'outil en extension. Maintenez un bon appui au sol et un bon équilibre à tout moment.
- Assurez-vous que l'outil n'entre pas en contact avec les personnes environnantes.
- Maintenez les personnes environnantes à bonne distance de l'espace de travail.
- L'utilisateur ainsi que les personnes environnantes doivent porter des vêtements et équipements de protection appropriés.
- Dirigez l'air expulsé de l'outil de façon à éviter la projection d'air ou de débris sur la pièce travaillée ou sur l'utilisateur et les personnes environnantes.
- Lors d'une utilisation en hauteur, soyez toujours conscient des éléments situés en dessous et autour de l'espace de travail.
- Lorsque l'outil n'est pas utilisé, coupez l'arrivée d'air comprimé et appuyez sur la gâchette pour évacuer l'air sous pression présent dans l'outil.
- Si l'outil ne doit pas être utilisé pendant un certain laps de temps, lubrifiez-la, débranchez-le de l'alimentation en air comprimé et entreposez-le dans un endroit sec à une température modérée.
- Entreposez les outils inutilisés dans un endroit sec, fermé et situé en hauteur, hors de portée des enfants.

Il existe des risques de blessures dans les lieux de travail.

Il est dangereux d'agiter des tuyaux à air comprimé.

- Fixez les tuyaux et les conduites.
- Vérifiez périodiquement l'absence d'usure des tuyaux d'air et des raccords.
- Ne branchez pas de raccords rapides directement sur l'outil.
- Utilisez un tuyau libre d'une longueur maximum de 150 cm (60 pouces).

L'agitation d'un tuyau à air comprimé peut causer des lésions.

Des utilisateurs non qualifiés peuvent créer des situations dangereuses.

- Maintenez la pièce travaillée avec un serre-joint ou un étai lorsque cela est possible.
- Utilisez le bon outil. N'utilisez pas un outil trop léger ou trop lourd pour le travail à effectuer.
- Ne forcez pas l'outil au-delà de ses capacités.
- Faites fonctionner les outils à air comprimé à une pression maximale de 6,2 bar (620 kPa, 90 psig).
- Il est attendu des utilisateurs qu'ils adoptent des pratiques de travail sûres et qu'ils respectent l'ensemble des obligations légales locales, régionales et nationales lors de l'installation, de l'utilisation et de l'entretien de cet outil.

Une utilisation inappropriée de l'outil peut causer des lésions.

Des réparations incorrectes ou le manque d'entretien de l'outil peuvent provoquer des situations dangereuses.

- **Ne modifiez pas l'outil et n'effectuez pas de réparations temporaires.** N'utilisez que des pièces de rechange de marque *Snap-on* pour l'entretien et la réparation. L'entretien et les réparations doivent être effectués par du personnel qualifié et formé.
- **N'utilisez pas l'outil s'il vibre trop, s'il émet des bruits inhabituels, s'il présente des pièces desserrées ou des signes d'endommagement.**
- **Si l'outil ne fonctionne pas correctement, interrompez votre utilisation et faites-le immédiatement examiner pour entretien ou réparation.** S'il n'est pas pratique de retirer l'outil du service, coupez l'arrivée d'air comprimé de l'outil, rédigez une étiquette d'avertissement et apposez-la sur l'outil.
- **Ne démontez pas les dispositifs de sécurité prévus par le constructeur (par exemple les garde-roues, les gâchettes de sécurité, les limiteurs de régime).**
- **Si cet outil devient inutilisable et qu'il ne peut être réparé, démontez-le et dégraissez les pièces.** Séparez ensuite l'ensemble des pièces par type de matériau et recyclez-les.

Toute pièce, réparation ou maintenance incorrecte peut causer des lésions.

Sécurité de la clé à chocs



AVERTISSEMENT

L'utilisation de douilles ou d'accessoires endommagés et incorrects peut causer la projection de particules.

- **N'utilisez pas de douilles ni d'accessoires ébréchés, fendus ou endommagés.**
- **Utilisez uniquement des douilles et des accessoires à chocs.**
- **Vérifiez périodiquement la force nécessaire pour extraire une douille du carré.** Une force de traction inadéquate risque de permettre la chute de la douille en cours de rotation.
- **Utilisez uniquement des douilles articulées à rotule.** N'utilisez pas de douilles articulées du type à bloc carré.

Les projections peuvent causer des blessures.

Risque de lésions corporelles.

- **Une clé à chocs n'est pas un dispositif de vérification de couples de serrage.**
- **Ne pas utiliser une clé à chocs pour vérifier les couples de serrage.**
- **Utiliser une clé dynamométrique pour vérifier les couples de serrage.**

Des fixations mal serrées peuvent causer des dommages matériels et des lésions corporelles.

CONSERVEZ CES INSTRUCTIONS

Spécifications

Spécifications à 6,2 bars (620 kPa, 90 psig)

Dimension du carré d'entraînement	19 mm
Couple	
Sens des aiguilles d'une montre (F - Forward)	1559 N•m
Sens inverse des aiguilles d'une montre (R - Reverse)	1695 N•m
Pression d'air recommandée	6,2 bars/620 kPa, maximum
Consommation d'air, régime libre	6,4 cfm (46 SCFM)
Régime à vide CCW	6 200
Coups par minute	1 050
Dimension du filetage d'admission d'air	9,5 mm–18 NPT
Dimension de la conduite d'alimentation d'air	9,5 mm min. (D.I.)
Couple de séparation du boulon	1830 N•m

Dimensions

Hauteur	24,1 cm
Longueur	20,7 cm
Largeur	8,3 cm
Poids	3,68 kg

Bruit* (testé conformément à la norme ISO 15744)	
Niveau de pression acoustique (A)...	99,8 dB
Incertitude, K	3 dB
Niveau de puissance acoustique (A)111,4 dB	
Incertitude, K	3 dB
Vibration* (testée conformément à la norme ISO 28927)	
Niveau de vibration	10,38 m/s ²
Incertitude, K	1,87 m/s ²

**Ces valeurs déclarées ont été obtenues dans le cadre d'essais effectués en laboratoire dans le respect des normes indiquées, et elles ne sont donc pas utilisables pour l'évaluation des risques. Les valeurs mesurées sur des lieux de travail particuliers peuvent être plus élevées. Les valeurs relevées et les risques encourus sont uniques pour chaque utilisateur et dépendent de l'environnement et de la manière dont il travaille, de la pièce à travailler et de la conception du poste de travail, ainsi que du temps d'exposition et de la condition physique de l'utilisateur.*

Nous, Snap-on Tools Company, ne pouvons être tenus pour responsables des conséquences de l'utilisation des valeurs déclarées au lieu de celles reflétant l'exposition réelle déterminée dans le cadre d'une évaluation individuelle des risques en situation de travail réel sur laquelle nous n'exerçons aucun contrôle.

Applications

La clé à chocs MG1250 **Snap-on** est idéale pour un large éventail de tâches de serrage d'attaches dans les secteurs de l'automobile et de l'industrie. Quand elles sont utilisées avec des douilles pour clé à chocs de **Snap-on**, elles fournissent la puissance et la vitesse nécessaires pour un travail plus efficace et moins fatigant pour l'utilisateur. Les applications comprennent l'utilisation sur chaînes d'assemblage, le retrait d'écrous et de boulons rouillés et beaucoup d'autres usages spécialisés.

Alimentation en air

Les outils pneumatiques fonctionnent d'une manière optimale avec un air propre, sans humidité, bien lubrifié, à une pression constante de 6,2 bars (620 kPa, 90 psig) maximum.

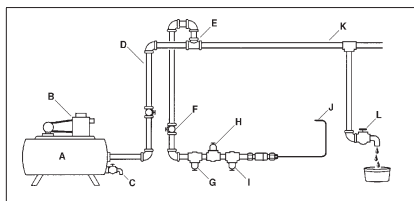


Figure 1 : Alimentation en air

- A – Cuve de récupération, 151,5 litres minimum
- B – Compresseur de capacité suffisante
- C – Purgez quotidiennement
- D – Tuyaux et raccords, minimum 12,7 mm
- E – Prise d'air au sommet
- F – Robinet d'arrêt d'accès facile
- G – Filtre
- H – Régulateur d'air réglé à la pression de fonctionnement
- I – Lubrificateur
- J – Connexion à l'outil pneumatique
- K – Point bas pour récupération de l'eau
- L – Purgez quotidiennement

Tuyauterie

La tuyauterie doit être d'une taille suffisante pour éviter une chute de pression excessive dans des conditions de flux maximum. Tous les raccords et les sorties de tuyau doivent être d'une taille d'au moins 12,7 mm et disposés de telle manière qu'il n'y ait pas de point bas qui collecte l'eau que l'on ne puisse purger quotidiennement. N'utilisez pas de tuyau d'air ayant un diamètre intérieur inférieur à 9,5 mm, ni un tuyau trop long, car une chute de pression en situation de débit maximum pourrait réduire la performance.

- ✓ Il existe des accessoires pour connexions d'air étanches.

Compresseur d'air

Le compresseur d'air doit avoir une capacité suffisante pour délivrer 46 SCFM à 6,2 bars (620 kPa, 90 psig) à chaque prise pendant le fonctionnement de l'outil. La cuve de récupération doit être d'une capacité suffisante pour apporter un équilibre de décharge pour chaque outil pneumatique.

Filtre

Le filtre **Snap-on** AHR424, ou équivalent, doit être utilisé pour assurer une alimentation en air propre à l'entrée de l'outil. L'eau, les salissures et le calcaire ont une action abrasive qui risque d'abîmer l'outil pneumatique. Installez un filtre entre le compresseur, le régulateur d'air et le lubrificateur d'air.

Régulateur d'air

La pression d'air doit être régulée pour que la clé à chocs pneumatique fonctionne correctement. Le régulateur AHR426 de **Snap-on** ou un régulateur équivalent, réglera et maintiendra la pression recommandée de 6,2 bars/620 kPa. Une pression inférieure réduit l'efficacité et une pression supérieure augmente le nombre de coups par minute et le régime au-delà de la capacité nominale—créant des dangers et le risque d'endommagement de la clé à chocs pneumatique. Pendant l'usage normal de la clé, vérifiez la pression d'air au régulateur.

Lubrificateur de la conduite d'air

- ✓ N'utilisez pas d'huile épaisse qui pourrait faire caler l'appareil et diminuer les performances.

Il est préférable de lubrifier le moteur de la clé à chocs avec un lubrificateur de conduite d'air tel que le lubrificateur AHR428 de **Snap-on**. Remplissez-le d'huile pour moteur pneumatique IM6 de **Snap-on** ou d'une bonne huile SAE 10W.

Si vous n'utilisez pas de lubrificateur de conduite d'air, lubrifiez le moteur pneumatique en injectant environ 3,75 ml d'huile pour moteur pneumatique IM6 dans l'admission d'air de la clé, chaque jour avant de l'utiliser. L'huile IM6 est formulée spécialement pour les outils pneumatiques et ne nécessite pas de solvant de rinçage.

Réservoir d'huile

Le compartiment du mécanisme de percussion est scellé de manière étanche à l'usine et ne doit pas exiger de lubrification supplémentaire.

Filtre d'admission d'air

Un filtre d'admission d'air est incorporé dans la douille d'admission d'air amovible, située à l'arrière de la clé à chocs. Il peut être nettoyé en retirant la douille et en nettoyant le filtre et la douille à l'aide d'un jet d'air comprimé. Avant de réinstaller le manchon, vérifiez le joint torique pour détecter tout dommage. S'il est endommagé, placez un joint torique neuf pour éviter les fuites d'air. Serrez la douille d'admission d'air réinstallé entre 68 et 75 N•m.

Régulateur de puissance/ fréquence des chocs

Le couple est fonction de la pression de la conduite d'air, du réglage du régulateur et de la durée de travail. Une pression d'air de 6,2 bars/620 kPa est recommandée. Ce régulateur est situé à l'arrière de la clé, et il régule la puissance et la fréquence des chocs en marche avant uniquement. Il présente trois réglages (bas, medium et haut) comme indiqué à l'arrière de l'outil.

Levier avant/arrière

Le levier avant/arrière se situe au centre de la clé, au-dessus du déclencheur. Pour une rotation avant de l'enclume (dans le sens des aiguilles d'une montre), pousser le levier vers l'avant de l'outil. Pour une rotation arrière (dans le sens inverse des aiguilles d'une montre), pousser le levier vers l'arrière de l'outil.

Retenue de douille



AVERTISSEMENT

Débranchez le tuyau d'air avant de changer de douille.

La clé à chocs pneumatique comporte une bague de blocage en acier pour la retenue de tous les types de douilles pour clés à chocs. La bague tient la douille en place par friction. Vous devrez remplacer cette bague périodiquement quand la force de retrait de la douille chute à moins de 1,8 kg pour un carré d'entraînement de 9,5 mm.

Instructions d'entretien

- ✓ Reportez-vous à la figure 2 pour consulter la liste des pièces. N'utilisez que des pièces de rechange de marque **Snap-on** pour l'entretien et la réparation. L'entretien et les réparations doivent être effectués par du personnel qualifié et formé. Vous pourrez obtenir des pièces de rechange ainsi qu'un manuel d'entretien auprès de votre représentant **Snap-on**.



MG1250

Druckluftschlagschrauber



SICHERHEITS- INFORMATION

Diese Anleitung vor dem Installieren, Betreiben, Warten oder Reparieren dieses Werkzeugs sorgfältig lesen. Diese Anleitung griffbereit aufbewahren.

Sicherheitshinweise

Dieses Dokument enthält Sicherheitshinweise der Snap-on Tools Company, die für sicherheitsrelevante Situationen bei Betrieb, Wartung oder Reparatur von Druckluftwerkzeugen gelten. Der Benutzer und der Wartungstechniker tragen die Verantwortung dafür, sich mit den verwendeten Verfahren, Werkzeugen und Materialien vertraut zu machen und sich davon zu überzeugen, dass diese ihre eigene Sicherheit, die Sicherheit anderer Personen am Arbeitsplatz und das Werkzeug nicht gefährden.

Sicherheitshinweise für Power Tools

! ACHTUNG



Die unsachgemäße Verwendung von Power Tools und Zubehör kann zu Schäden an den Werkzeugen führen.

- Lesen Sie vor der Arbeit mit Power Tools die jeweilige Betriebsanleitung.
- Achten Sie darauf, dass diese Anleitung dem Werkzeug beiliegt, wenn das Werkzeug von einem Benutzer an einen neuen oder weniger erfahrenen Benutzer weitergegeben wird.
- Etiketten nicht entfernen. Alle beschädigten Etiketten ersetzen.

Beschädigte Werkzeuge können Verletzungen verursachen.



Bei der Verwendung von Power Tools können Partikel in die Umgebung geschleudert werden.

- Daher sollten der Bediener und umstehende Personen Schutzbrillen tragen.

Sich lösende und weggeschleuderte Teile können Verletzungen verursachen.



Power Tools verursachen Lärm.

- Daher sollten der Bediener und umstehende Personen einen Gehörschutz tragen.

Eine längere Lärmexposition kann zu Gehörschäden führen.



Power Tools vibrieren.

- Vermeiden Sie eine Vibrationsexposition, sich ständig wiederholende Bewegungen und unbequeme Positionen.
- Bei Unbehaglichkeit, Kribbelgefühl oder Schmerzen darf das Werkzeug nicht weiter benutzt werden. Wenden Sie sich vor der weiteren Verwendung des Werkzeugs an einen Arzt.

Eine längere Vibrationsexposition, sich ständig wiederholende Bewegungen und unbequeme Positionen können zu Verletzungen führen.



Kontaminationsrisiko durch schädlichen Staub.

- Tragen Sie bei der Arbeit mit stauberzeugenden Power Tools eine zugelassene Staubmaske oder ein Atemgerät.
- Manche Staubpartikel, die beim Glätten, Sägen, Schleifen, Bohren oder bei anderen Bauarbeiten erzeugt werden, enthalten Chemikalien, die bekannterweise krebserregend sind, zu Geburtsfehlern führen oder die Fortpflanzungsfähigkeit beeinträchtigen.

Das Einatmen gefährlicher Staubpartikel kann zu Gesundheitsschäden führen.

Während der Verwendung des Werkzeugs können plötzliche Änderungen der Bewegung oder Position auftreten.

- Erwarten und achten Sie auf Bewegungsänderungen während des Startens und während des Betriebs.
- Behalten Sie einen sicheren Griff bei.
- Sie sollten auf Reaktionskräfte vorbereitet sein. Sie sollten sicher stehen und das Werkzeug sicher halten.
- Achten Sie vor Verwendung des Werkzeugs auf die Position des Richtungsumkehrmechanismus und auf die Drehrichtung, wenn Sie den Auslöser drücken.

Unvorhergesehene Änderungen der Bewegung oder Position können zu Verletzungen führen.



Verwicklungsgefahr.

- **Sämtliche Körperteile von beweglichen Teilen fernhalten.**
- **Bei der Bedienung des Werkzeugs weder lose Kleidung noch Schmuckgegenstände tragen.**
- **Tragen Sie einen Haarschutz, um lange Haare aus der Gefahrenzone fernzuhalten.**
- **Das Werkzeug nicht mit dem Finger am Druckschalter tragen.**
- **Vor dem Einschalten des Werkzeugs müssen alle Einstellschlüssel bzw. Schraubenschlüssel entfernt werden.**
- **Den Druckschalter nicht mit Klebeband oder Draht oder anderweitig in der eingestellten Stellung sichern.**
- **Halten Sie den Griff trocken, sauber und frei von Öl und Fett.**
- **Beim Auswechseln des Zubehörs immer die Luftversorgung abstellen und das Werkzeug von der Luftversorgung trennen.**

Das Verwickeln von Kleidungsstücken oder anderen Gegenständen in Werkzeugteilen kann zu Verletzungen führen.



Brennbare Dämpfe stellen eine Explosionsgefahr dar.

- **Nicht in der Nähe von entflammaren Dämpfen, einer Gasleitung oder eines Gastanks verwenden.**
- **Die Ausblasluft der Werkzeuge nicht auf Flammen oder heiße Flächen richten.**
- **Werkzeuge nicht mit entflammaren oder flüchtigen Flüssigkeiten, z. B. Kerosin, Diesel oder Flugzeugbenzin, schmieren.**
- **Nur empfohlene Schmiermittel verwenden.**

Explosionen und Flammen können zu Verletzungen führen.

Das Schmieröl wird mit der Luft ausgeblasen.

- **Das Werkzeug in einem gut belüfteten Raum betreiben.**
- **Ein Einatmen der Ausblasluft vermeiden.**

Das Einatmen von Luft mit Ölsprühhel ist gesundheitsschädlich.



Elektrischer Strom kann zu Stromschlag führen.

- **Nicht auf oder in der Nähe von stromführenden Leitungen oder unter dem Einfluss von Medikamenten, Drogen oder Alkohol verwenden.**
- **Dieses Werkzeug ist nicht gegen Stromschläge isoliert.**

Stromschlag kann zu Verletzungen führen.

Ein Arbeitsbereich kann Gefahren bergen.

- **Sorgen Sie stets für einen sauberen und gut beleuchteten Arbeitsbereich.**
- **Seien Sie beim Betrieb des Werkzeugs stets wachsam und vorsichtig. Nicht betreiben, wenn Sie müde sind oder Medikamente eingenommen haben oder unter Alkohol- bzw. Drogeneinfluss stehen.**

- **Stellen Sie vor der Verwendung des Werkzeugs sicher, dass eine Absperrvorrichtung in die Versorgungsleitung installiert wurde und dass der Installationsort der Vorrichtung bekannt und leicht zugänglich ist, so dass die Druckluftversorgung des Werkzeugs bei einem Notfall schnell abgeschaltet werden kann.**
- **Legen Sie das Werkzeug erst dann ab, wenn der Aufsatz zum Stillstand gekommen ist.**
- **Halten Sie das Werkzeug nicht zu weit vom Körper weg. Achten Sie stets darauf, dass Sie sicher stehen und das Gleichgewicht halten.**
- **Erlauben Sie umstehenden Personen nicht, das Werkzeug zu berühren.**
- **Sorgen Sie dafür, dass sich Umstehende im sicheren Abstand vom Arbeitsbereich befinden.**
- **Bediener und Umstehende müssen geeignete Schutzkleidung tragen.**
- **Halten Sie das Werkzeug so, dass die ausgestoßene Luft bzw. abgetragenen Stoffe nicht in Ihre Richtung oder in Richtung der Umstehenden geblasen wird.**
- **Wenn das Werkzeug in höher gelegenen Arbeitsbereichen verwendet wird, achten Sie auf Gegenstände in Ihrer Nähe und unter Ihnen.**
- **Wenn das Werkzeug nicht verwendet wird, schalten Sie die Druckluftversorgung aus und drücken Sie den Fingerstarter oder Hebel, damit sich der Druck abbaut.**
- **Wenn das Werkzeug längere Zeit nicht verwendet wird, schmieren Sie es, trennen Sie es von der Druckluftleitung und lagern Sie es an einem trockenen Ort mit mäßiger Temperatur.**
- **Bewahren Sie nicht verwendete Werkzeuge in einem hohen, trockenen, abgeschlossenen und für Kinder unzugänglichen Ort auf.**

Gefahren im Arbeitsbereich können zu Verletzungen führen.

Es besteht die Gefahr von ausschlagenden Druckluftschläuchen.

- **Schließen Sie Druckluftleitungen fest an.**
- **Überprüfen Sie den Druckluftschlauch und Anschlüsse in regelmäßigen Abständen auf Abnutzung.**
- **Schließen Sie keine Schnellkupplungen direkt an das Werkzeug an.**
- **Verwenden Sie einen Druckluftschlauch, der nicht länger als 150 cm (60 Zoll) ist.**

Ein ausschlagender Druckluftschlauch kann zu Verletzungen führen.

Nicht geschulte Bediener können Gefährdungen verursachen.

- **Führen Sie Arbeiten möglichst mithilfe eines Schraubstocks oder einer Schraubzwinge aus, um sicheres Arbeiten zu gewährleisten.**
- **Verwenden Sie nur geeignete Werkzeuge. Verwenden Sie nur Werkzeuge, die robust genug und nicht zu schwer für die jeweilige Arbeit sind.**
- **Wenden Sie keine übermäßige Kraft auf das Werkzeug an.**
- **Betreiben Sie Druckluftwerkzeuge mit einem maximalen Druck von 6,2 Bar, 620 kPa (90 psig).**

- Es wird vorausgesetzt, dass Bediener alle Vorschriften für sicheres Arbeiten und alle örtlichen, regionalen und landesweiten gesetzlichen Bestimmungen bei der Installation, dem Betrieb und der Wartung dieses Werkzeugs befolgen.

Ein unsachgemäßer Gebrauch kann zu Verletzungen führen.

Falls Reparaturen nicht ordnungsgemäß ausgeführt oder Wartungen nicht durchgeführt werden, können Gefahren entstehen.

- Nehmen Sie keine Modifizierungen oder provisorische Reparaturen vor. Verwenden Sie zur Wartung und Reparatur nur Originalersatzteile von *Snap-on*. Wartungs- und Reparaturarbeiten dürfen nur durch geschultes Personal ausgeführt werden.
- Verwenden Sie das Werkzeug nicht, wenn es übermäßig vibriert, ungewöhnliche Geräusche macht oder andere Anzeichen von Beschädigungen aufweist.
- Falls Fehlfunktionen beim Werkzeug auftreten, nehmen Sie es außer Betrieb und wenden Sie sich umgehend an den Kundendienst, um es reparieren zu lassen. Falls es nicht möglich ist, das Werkzeug vollständig außer Betrieb zu setzen, schalten Sie die Druckluftversorgung des Werkzeugs ab und bringen Sie einen Warnhinweis an das Werkzeug an, der davor warnt, das Werkzeug einzuschalten.
- Entfernen Sie keine vom Hersteller angebrachten Sicherheitsvorrichtungen (z. B. Schleifscheibenschutzvorrichtung, Sicherheitsauslöser, Drehzahlbegrenzer).
- Falls dieses Werkzeug so stark beschädigt wurde, dass es nicht mehr repariert werden kann, demontieren Sie es und säubern Sie es von Schmierstoffen. Sortieren Sie dann die Teile nach Materialart und führen Sie sie dem Recycling zu.

Falsche Ersatzteile oder nicht ordnungsgemäß ausgeführte Reparaturen oder Wartungsarbeiten können zu Verletzungen führen.

Sicherheitshinweise für den pneumatischen Drehschlagschrauber

ACHTUNG

Bei Verwendung von beschädigten oder falschen Steckschlüsseln oder Zubehörteilen können Partikel in die Luft geschleudert werden.

- Auf keinen Fall Steckschlüssel oder Zubehör mit Rissen, Bruchstellen oder sonstigen Schäden verwenden.
- Nur elektrische Steckschlüssel oder Schlagsteckschlüssel und Schlagzubehörteile benutzen.
- Die zum Abziehen eines Steckschlüssels aus dem Vierkanttrieb angewandte Kraft regelmäßig überprüfen. Falls die zum Abziehen vorgeschriebene Kraft nicht ausreichend ist, können sich Steckschlüssel beim Drehen lösen.

- Nur flexible Gelenksteckschlüsseinsätze verwenden. Nur kugegelagerte Flexsteckschlüssel, keine viereckigen Block-Flexsteckschlüssel verwenden.

In die Luft geschleuderte Partikel können zu Verletzungen führen.

Verletzungsrisiko.

- Ein Schlagschraubenschlüssel ist keine Drehmomentregelungsvorrichtung.
- Zur Drehmomentregelung keinen Schlagschraubenschlüssel verwenden.
- Zur Drehmomentregelung einen Drehmomentschlüssel verwenden.

Unsachgemäß gesicherte Befestigungsteile können zu Geräteschäden führen, die wiederum Verletzungen verursachen können.

BEWAHREN SIE DIESE ANLEITUNG AUF

Technische Daten

Technische Daten bei 6,2 bar / 620 kPa

Größe des Vierkants	19 mm
Maximales Drehmoment	
Im Uhrzeigersinn (F)	1559 N•m
Gegen den Uhrzeigersinn (R)	1695 N•m
Empfohlener Luftdruck	6,2 bar/620 kPa, maximal
Luftverbrauch, Freilauf	46 SCFM
Umdrehung, Freilauf (gegen den Uhrzeigersinn)	6,200
Schläge je Minute	1,050
Lufteinlaß-Gewindegröße	9,5 mm – 18 NPT
Schlauchgröße für Luftversorgung	mind. 9,5 mm Innendurchmesser
Losbrechmoment des Bolzens	1830 N•m

Abmessungen

Höhe	24,1 cm
Länge	20,7 cm
Breite	8,3 cm
Gewicht	3,68 kg

Geräuschemission* (getestet nach ISO-Norm 15744)

Schalldruckpegel (A)	99,8 dB
Ungewissheit, K	3,0 dB
Schallleistungspegel (A)	111,4 dB
Ungewissheit, K	3,0 dB

Schwingungsemission* (getestet nach ISO-Norm 28927)

Vibrationspegel	10,38 m/s ²
Ungewissheit, K	1,87 m/s ²

*Die angegebenen Werte wurden in Labortests anhand der Standardnormen ermittelt und sind nicht ausreichend für eine Verwendung in Risikobeurteilungen. Die Werte, die an den einzelnen Arbeitsorten gemessen werden, können etwas höher liegen. Die Werte und das Verletzungsrisiko eines Einzelnen sind einzigartig und hängen von der Umgebung und Arbeitsweise des Benutzers, dem Arbeitsstück und dem Design der Workstation, sowie von der Zeit der Aussetzung und dem körperlichen Zustand des Benutzers ab.

Snap-on Tools Company kann nicht für die Folgen haften, die sich aus der Verwendung der erklärten Werte anstatt von Werten ergeben, die die tatsächliche Aussetzungszeit reflektieren, die in einer individuellen Risikobeurteilung in einer Arbeitsplatzsituation bestimmt wurde, über die wir keine Kontrolle haben.

Anwendungen

Der **Snap-on** MG1250 Drehschlagschrauber ist für eine Vielzahl von Aufgaben im Automobil- und industriellen Bereich ideal geeignet. Bei Gebrauch von **Snap-on** Steckschlüsseln liefern Drehschlagschrauber Leistung bei hoher Drehzahl, um die Aufgabe wirtschaftlicher und bei geringerer Ermüdung zu erledigen. Beispiele von Anwendungen sind unter anderem Aufgaben im Fertigungsbereich, das Entfernen von angerosteten Muttern und Schrauben und viele andere Spezialanwendungen.

Luftzufuhr

Druckluftwerkzeuge funktionieren am besten mit sauberer, trockener und gut geschmierter Luft bei einem konstanten Druck von maximal 6,2 bar (620 kPa).

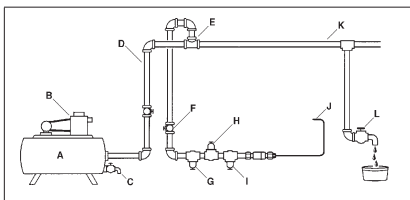


Abbildung 1: Luftzufuhr

- A – Lufttank, 151,51 min.
- B – Kompressor mit ausreichender Kapazität
- C – Täglich ablassen
- D – Rohre und Anschlüsse –
Mindestdurchmesser von 12,7 mm
- E – Luftabnahme oben
- F – Leicht zu erreichendes und zu bedienendes
Absperventil
- G – Filter
- H – Auf empfohlenen Arbeitsdruck eingestellter
Luftdruckregler
- I – Schmiervorrichtung
- J – Anschluss des Druckluftwerkzeugs

- K – Tiefpunkt zum Sammeln von Wasser
- L – Täglich ablassen

Rohrsystem

Die Rohre sollten groß genug sein, um übermäßige Druckabfälle bei höchstem Luftfluss zu vermeiden. Alle Rohranschlüsse und Schlauchausflussöffnungen müssen einen Durchmesser von 12,7 mm aufweisen und so angebracht werden, dass sich kein Wasser in tiefliegenden Stellen ansammelt, das nicht täglich abfließen kann. Verwenden Sie keinen Luftschlauch mit einem Innendurchmesser von unter 9,5 mm oder einen zu langen Schlauch, da ein Druckabfall bei maximaler Durchflussmenge eine Leistungsminderung zur Folge haben kann.

✓ Wir bieten Zubehör für luftdichte Leistung.

Kompressor

Die Kapazität des Luftkompressors muss ausreichen, um bei laufendem Werkzeug an jedem Auslass einen Druck von 46 SCFM bei 6,2 bar (620 kPa) zu erzeugen. Der Lufttank sollte groß genug sein, um ausreichend Stoßkapazität für jedes Werkzeug zu liefern.

Filter

Um eine Versorgung des Werkzeugs mit sauberer Luft zu gewährleisten, muss der Filter **Snap-on** AHR424, oder ein gleichwertiger Filter, eingesetzt werden. Wasser, Schmutz und Kesselstein wirken wie Schleifmittel, die das Druckluftwerkzeug beschädigen können. Zwischen dem Kompressor und der Luftregulierung und der Luftschmierung sollte ein Filter angebracht werden.

Luftregulierung

Um eine ordnungsgemäße Leistung des pneumatischen Drehschlagschrauber zu gewährleisten, ist regulierte Druckluft notwendig. Der Regler AHR426 von **Snap-on** oder ein gleichwertiger Regler stellt den empfohlenen Luftdruck von 6,2 bar/620 kPa ein und hält diesen aufrecht. Bei geringerem Druck fällt die Leistung und größerer Druck steigert die Drehzahl über die Nennleistung des Werkzeugs—was zu möglichen Gefahren und der Beschädigung des pneumatischen Drehschlagschraubers führen kann. Die Druckluft bei der Druckluftregulierung prüfen, während der Drehschlagschrauber unter normalen Bedingungen betrieben wird.

Luftleitungsschmierung

✓ Kein schweres Öl verwenden, da der Drehschlagschrauber sich sonst festsetzen kann und die Leistung beeinträchtigt wird.

Die Luftleitungsschmierung AHR428 von **Snap-on** eignet sich zum Schmieren des Motors des pneumatischen Drehschlagschraubers am besten. Diese sollte mit **Snap-on** Luftdruckmotoröl der Klasse IM6 oder einem hochwertigen Öl der Klasse SAE 10W gefüllt werden.

Falls keine Luftleitungsschmierung eingesetzt wird, den Druckluftmotor täglich durch Einspritzen von etwa 3,75 ml IM6 Druckluftmotoröl in den Luftereinlaß des Drehschlagschraubers schmieren. IM6 Öl ist speziell für Druckluftwerkzeug entwickelt und benötigt keine Nachspülung.

Ölsammelbehälter

Die Drehschlagschrauberammer wird werkseitig gedichtet und es sollte keine weitere Schmierung erforderlich sein.

Luftsieb

Der abnehmbare Luftereinlaß an der Hinterseite des Drehschlagschraubers ist mit einem Luftsieb ausgestattet. Zur Säuberung die Buchse entfernen und mit einem Druckluftschlauch Schmutz und andere Fremdkörper vom Sieb und der Buchse blasen. Vor dem Wiedereinbau der Luftereinlassbuchse den O-Ring auf Schäden prüfen. Bei Beschädigung einen neuen O-Ring einbauen, um Luftundichtheiten zu vermeiden. Die neu installierte Luftereinlassbuchse mit einem Drehmoment von 68 – 75 N•m festziehen.

Drehschlag-/ Frequenzregler

Die Drehmomentleistung wird durch den Luftleitungsdruck, die Reglereinstellung und die Arbeitsdauer bestimmt. Als Luftleitungsdruck wird 6,2 bar/620 kPa empfohlen. Dieser Regler befindet sich auf der Rückseite des Schraubenschlüssels und regelt die Leistung und Frequenz der Stoßkraft nur in der Vorwärtsrichtung. Er hat drei Einstellungen (niedrig, mittel, hoch), die auf der Rückseite des Geräts angegeben sind.

Vorwärts-/Rückwärtshebel

Der Vorwärts-/Rückwärtshebel befindet sich in der Mitte des Schraubers über dem Schalter. Den Hebel zur Vorwärtsrotation (im Uhrzeigersinn) des Amboss in Richtung Vorderseite des Geräts drücken. Für eine Rückwärtsrotation (entgegen dem Uhrzeigersinn) zur Rückseite des Geräts drücken.

Steckschlüsselsicherung



ACHTUNG

Vor dem Wechseln von Steckschlüsseln den Luftschlauch entfernen.

Dieser Drehschlagschrauber verfügt über einen Arretiering aus Stahl, mit dem Steckschlüssel verschiedener Arten eingesetzt werden können. Der Ring hält die Steckschlüssel mit Hilfe von Reibungskraft. Der Ring muss von Zeit zu Zeit ersetzt werden, falls die notwendige Kraft für die Entfernung des Steckschlüssels für einen Vierkantantrieb mit 9,5 mm unter 1,8 kg abfällt.

Wartungsanweisungen

- ✓ Siehe Abbildung 2 für die Liste der Teile. Verwenden Sie zur Wartung und Reparatur nur Originalersatzteile von **Snap-on**. Wartungs- und Reparaturarbeiten dürfen nur durch geschultes Personal ausgeführt werden. Ersatzteile und Wartungshandbuch sind durch Ihre autorisierte **Snap-on**-Vertretung erhältlich.



NORME GENERALI DI SICUREZZA

Leggere attentamente queste istruzioni prima di installare, utilizzare, riparare o eseguire operazioni di manutenzione su questo attrezzo. Riporre queste istruzioni in un luogo accessibile per riferimenti futuri.

Avvisi cautelari

Snap-on Tools Company fornisce messaggi cautelari per situazioni che possono ragionevolmente verificarsi durante l'utilizzo, la manutenzione o le riparazioni degli utensili pneumatici. Spetta agli operatori e ai tecnici che si occupano della manutenzione tenersi al corrente delle procedure, degli utensili e dei materiali utilizzati, nonché verificare che le procedure, gli utensili e i materiali non compromettano la propria sicurezza, quella delle altre persone presenti nell'area di lavoro o la funzionalità dell'utensile stesso.

Messaggi cautelari per gli utensili a motore



AVVERTENZE



L'impiego non corretto di un utensile a motore e dei relativi accessori può provocarne la rottura.

- Leggere attentamente le istruzioni prima di mettere in funzione un qualsiasi utensile a motore.
- Se l'utensile viene passato da una persona a un'altra, ad un neofita o a un utilizzatore inesperto, accertarsi che queste istruzioni vengano incluse.
- Non staccare le etichette. Sostituire le etichette danneggiate.

Gli utensili rotti o danneggiati possono causare infortuni.



Gli utensili a motore possono sprigionare schegge o particelle vaganti durante l'impiego.

- È necessario che l'operatore e le persone circostanti indossino appositi occhiali di sicurezza.

Particelle vaganti o schegge possono causare lesioni.



Gli utensili a motore sono fonte di rumore.

- È necessario che l'operatore e le persone circostanti indossino cuffie fonoassorbenti.

L'esposizione a livelli di rumorosità elevata per periodi prolungati può compromettere l'udito.



Gli utensili a motore tendono a vibrare.

- Evitare l'esposizione prolungata alle vibrazioni o ai movimenti ripetitivi e non mantenere a lungo posizioni scomode.
- Interrompere l'uso dell'utensile se si avvertono disturbi, dolori o formicolii. Consultare un medico prima di riprendere l'uso dell'utensile.

L'esposizione prolungata alle vibrazioni, a movimenti ripetitivi e a posizioni scomode può causare lesioni.



Rischio di contaminazione da polvere dannosa.

- Indossare una maschera o un respiratore di tipo omologato quando si utilizzano utensili a motore che generano polvere.
- Alcune polveri create da smerigliatura, segatura, spianatura, trapanatura e altre attività effettuate con utensili a motore contengono sostanze chimiche che possono causare cancro, difetti congeniti o altri danni al sistema riproduttivo.

L'inalazione di polvere dannosa può causare lesioni.

Durante l'utilizzo, l'utensile può cambiare improvvisamente movimento o posizione.

- Attenzione a movimenti improvvisi durante l'avviamento e l'utilizzo dell'utensile.
- Mantenere una presa sicura.
- Prevedere la forza di reazione. Modificare la propria posizione e tenere saldamente l'utensile.
- Osservare la posizione del meccanismo di inversione di rotazione prima di utilizzare l'utensile e conoscerne la direzione di rotazione quando si preme il grilletto.

Cambiamenti improvvisi di movimento o di posizione possono causare infortuni.



Parti del corpo o indumenti possono impigliarsi nell'utensile.

- Tenere qualsiasi parte del corpo lontano da componenti mobili.
- Non indossare indumenti larghi e gioielli quando si utilizza l'utensile.
- Indossare cuffie che contengano i capelli lunghi.
- Non trasportare l'utensile tenendo il dito sul grilletto.

- Rimuovere le chiavi di regolazione prima di accendere l'utensile.
- Non bloccare il grilletto sulla posizione ON con materiale tipo nastro adesivo, filo o altro.
- Tenere l'impugnatura asciutta, pulita e priva di olio e grasso.
- Disattivare sempre l'erogazione di aria e staccare l'utensile dall'erogazione di aria quando si sostituiscono accessori.

Esiste il rischio di infortuni se si rimane impigliati nell'utensile.



I vapori infiammabili possono esplodere.

- Non utilizzare vicino a fonti di vapore infiammabile o a tubazioni o serbatoi di gas.
- Orientare l'aria di scarico dell'utensile lontano da fiamme o superfici calde.
- Non lubrificare gli utensili con liquidi infiammabili o volatili come cherosene, diesel o carburante.
- Utilizzare esclusivamente lubrificanti raccomandati.

Esplorazione e fiamme possono causare infortuni.

L'olio di lubrificazione viene eliminato con l'aria di scarico.

- Utilizzare l'utensile in una zona ben ventilata.
- Non inalare l'aria di scarico.

L'inalazione di aria che contiene olio nebulizzato è dannosa.



L'elettricità crea pericolo di scosse.

- Non utilizzare sopra o vicino a circuiti elettrici sotto tensione, oppure sotto l'influenza di farmaci, sostanze stupefacenti o bevande alcoliche.
- Questo utensile non è protetto da scosse elettriche.

Le scosse elettriche possono causare infortuni.

L'area di lavoro può includere pericoli.

- Tenere l'area di lavoro pulita e bene illuminata.
- Rimanere vigili e usare il buonsenso quando si utilizza l'utensile. Non utilizzare l'utensile se si è stanchi o sotto l'influenza di farmaci, stupefacenti o bevande alcoliche.
- Prima di utilizzare l'utensile, assicurarsi che la linea d'erogazione sia munita di un dispositivo di disattivazione installato in un punto noto e di facile accesso, in modo tale che l'erogazione dell'aria all'utensile possa essere facilmente disattivata in caso di emergenza.
- Non posare mai un utensile fino a quando l'accessorio non abbia smesso di muoversi.
- Non sporgersi. Tenere sempre una giusta posizione e di equilibrio.
- Non permettere alle persone presenti di toccare l'utensile.
- Tenere le persone presenti ad una distanza di sicurezza dall'area di lavoro.
- Gli utenti e le persone presenti devono indossare indumenti protettivi adeguati.

- Orientare l'aria di scarico in modo tale da evitare di soffiare aria o detriti dal pezzo da lavorare in direzione dell'utente o delle persone presenti.
- Se si utilizza l'utensile ad una certa altezza, fare attenzione agli oggetti circostanti.
- Quando l'utensile non è utilizzato, disattivare l'erogazione dell'aria e premere il grilletto o la leva per rilasciare la pressione dell'aria.
- Se l'utensile non sarà utilizzato per un certo periodo, lubrificarlo, staccarlo dalla linea dell'aria e conservarlo in un luogo asciutto a temperatura moderata.
- Conservare gli utensili in una posizione alta e in un luogo asciutto e chiuso quando non si utilizzano, in modo che i bambini non possano avervi accesso.

I pericoli nell'area di lavoro possono causare infortuni.

Rischio di infortuni causati da tubi d'aria compressa che battono violentemente.

- Fissare bene le linee dell'aria.
- Controllare regolarmente il tubo dell'aria e i raccordi per verificare che non siano logorati.
- Non collegare dispositivi di accoppiamento a collegamento rapido direttamente all'utensile.
- Utilizzare un tubo frusta di una lunghezza massima di 150 cm.

Tubi d'aria compressa che si muovono all'impazzata possono causare infortuni.

Utenti inesperti possono creare situazioni pericolose.

- Fissare il pezzo di lavoro, se possibile, con un morsetto o una morsa.
- Utilizzare l'utensile giusto. Non utilizzare un utensile che sia troppo leggero o troppo pesante per il lavoro.
- Non forzare l'utensile.
- Utilizzare gli utensili pneumatici ad una pressione massima di 90 psig (6,2 bar, 620 kPa).
- Si presuppone che gli utenti seguano pratiche di lavoro sicure e rispettino tutta la normativa locale, regionale o nazionale quando installano, utilizzano oppure eseguono la manutenzione di questo utensile.

L'utilizzo improprio può causare infortuni.

Riparazioni improprie o manutenzione insufficiente possono creare situazioni pericolose.

- Non modificare o effettuare riparazioni temporanee. Per la manutenzione e le riparazioni utilizzare esclusivamente parti di ricambio *Snap-on* originali. La manutenzione e le riparazioni devono essere eseguite esclusivamente da personale competente.
- Non utilizzare l'utensile se vibra eccessivamente, se produce rumore insolito, se ha parti allentate oppure mostra un qualsiasi altro segno di danno.
- Se l'utensile si guasta, interrompere l'utilizzo e predisporre immediatamente la manutenzione e le riparazioni. Qualora non risultasse pratico mettere fuori servizio l'utensile, disattivare l'erogazione di aria all'utensile, scrivere un cartello di fuori servizio e applicarlo all'utensile.
- Non rimuovere i dispositivi di sicurezza e protezione installati in fabbrica (tipo la paratia di protezione delle parti girevoli, la sicura sul grilletto o i limitatori di velocità).

- Se l'utensile si danneggia in modo irreparabile, smontarlo e sgrassarlo. Quindi separare tutte le parti in base al tipo di materiale e riciclare.

Parti, riparazione o manutenzione improprie possono causare infortuni.

Sicurezza della chiave a percussione



AVVERTENZE

L'uso di bussole e accessori danneggiati o non adatti potrebbe provocare l'espulsione di particelle volatili.

- Non utilizzare bussole o accessori scheggiati, crepati o danneggiati.
- Usare soltanto bussole e accessori a impatto.
- Controllare periodicamente la forza di sgancio della bussola dalla guida quadrata. Una forza di sgancio inadeguata può provocare il distacco della bussola durante la rotazione.
- Usare solo attacchi flessibili con raccordi a sfere. Non utilizzare bussole flessibili a blocco quadrato.

Le particelle volatili prodotte possono causare lesioni agli occhi.

Rischio di infortuni.

- Una chiave a percussione non è un dispositivo di controllo di serraggio.
- Non utilizzare una chiave a percussione per il controllo del serraggio.
- Per il controllo del serraggio usare una chiave dinamometrica.

Dispositivi di fissaggio serrati erroneamente possono provocare danni alle attrezzature e infortuni alla persona.

CONSERVARE QUESTE ISTRUZIONI

Dati tecnici

Dati tecnici a 90 psig (6,2 bar, 620 kPa)

Dimensioni dell'attacco quadrato	19 mm
Coppia di serraggio	
Avanti (F)	1559 N•m
Senso antiorario (R)	1695 N•m
Pressione d'aria consigliata	
.....	6,2 bar/620 kPa max
Consumo dell'aria, corsa libera	46 SCFM
GIRI/MIN, corsa libera senso antiorario	
.....	6200
Colpi al minuto	1050
Dimensioni filetto presa d'aria	9,5 mm– 18 NPT
Dimensioni tubo alimentazione aria	
.....	9,5 mm diam. int. min.
Coppia di strappo bulloni	1830 N•m

Dimensioni

Altezza	24,1 cm
Lunghezza	20,7 cm
Larghezza	8,3 cm
Peso	3,68 kg

Rumore* (Collaudato secondo la norma ISO 15744)

Livello pressione sonora (A)	99,8 dB
Incertezza, K	3,0 dB
Livello potenza sonora (A)	111,4 dB
Incertezza, K	3,0 dB

Vibrazione* (Provata secondo la norma ISO 29827)

Livello di vibrazioni	10,38 m/s ²
Incertezza, K	1,87 m/s ²

*Questi valori dichiarati sono stati ottenuti in collaudi di laboratorio in base agli standard dichiarati e non sono adeguati per l'uso in valutazioni del rischio. I valori misurati in ambienti di lavoro individuali possono essere più alti. I valori e il rischio di infortuni che un singolo utente può subire sono unici e dipendono dall'ambiente e dalla modalità di lavoro dell'utente, dalla parte su cui lavora e dal design della postazione di lavoro, nonché dal tempo di esposizione e dalle condizioni fisiche dell'utente.

Snap-on Tools Company non può essere ritenuta responsabile delle conseguenze dell'utilizzo dei valori dichiarati anziché di valori che rispecchino l'esposizione effettiva determinata dalla valutazione del rischio individuale in un ambiente di lavoro sul quale **Snap-on Tools Company** non ha controllo.

Applicazioni

La chiave pneumatica a percussione **Snap-on** MG1250 è ideale per una vasta gamma di applicazioni di avvitatura sia nell'industria automobilistica che in altri settori. Usata con la bussola per attrezzi a percussione **Snap-on** si ottiene un binomio ottimale di potenza e velocità e, di conseguenza, si aumenta l'efficienza e si riduce la fatica dell'operatore. Questi attrezzi vengono utilizzati, ad esempio, nelle catene di montaggio per la rimozione di dadi e bulloni arrugginiti e per tanti altri impieghi specializzati.

Aria

Gli attrezzi ad aria funzionano meglio se alimentati con aria pulita, priva di umidità, e ben lubrificata ad una pressione costante di 90 psig (6,2 bar, 620 kPa) al massimo.

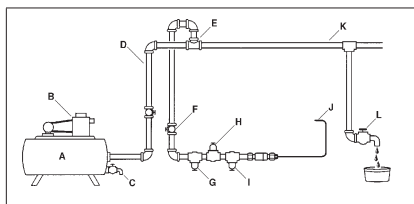


Figura 1: Aria

- A – Bacino di raccolta, capienza minima 51,5 litri
- B – Compressore, capacità sufficiente
- C – Svuotare giornalmente
- D – Tubi e raccordi, minimo 1/2"
- E – Presa d'aria dall'alto
- F – Valvola di spegnimento, facilmente accessibile
- G – Filtro
- H – Regolatore d'aria impostato alla pressione di funzionamento
- I – Lubrificatore
- J – Collegamento per attrezzo pneumatico
- K – Zona bassa, separatore dell'acqua
- L – Svuotare giornalmente

Sistema delle condutture

Il sistema delle condutture deve avere dimensioni tali da evitare un abbassamento eccessivo della pressione in condizioni di massimo flusso. Tutti gli attacchi e i raccordi delle condutture devono avere larghezza pari a 1/2" e devono essere collegati in modo che non vi siano zone basse in cui si possa accumulare l'acqua che non può essere estratta quotidianamente. Non utilizzare tubi per l'aria con diametro interno inferiore a 3/8" o eccessivamente lunghi, perché la caduta della pressione in condizioni di flusso massimo può ridurre le prestazioni.

- ✓ Per garantire attacchi a tenuta d'aria sono disponibili vari accessori.

Compressore d'aria

Il compressore dell'aria deve avere una capacità sufficiente ad erogare 46 SCFM a 90 psig (6,2 bar, 620 kPa) su ciascun rubinetto con gli utensili in funzione. Il serbatoio di raccolta deve avere una capacità di compensazione sufficiente per ogni utensile pneumatico.

Filtro

Utilizzare filtri **Snap-on** AHR424, o equivalenti, per assicurare che l'aria erogata all'utensile sia pulita. L'acqua, le impurità e le incrostazioni possono danneggiare l'utensile in quanto agiscono da abrasivi. Installare un filtro tra compressore, regolatore d'aria e lubrificatore d'aria.

Regolatore d'aria

Per garantire il funzionamento corretto della chiave pneumatica a percussione è necessario regolare la pressione dell'aria. Il regolatore **Snap-on** AHR426, o uno equivalente, consente di regolare e mantenere la pressione raccomandata dell'aria di 6,2 bar/620 kPa. A valori inferiori di pressione risulterebbe un calo di efficienza, mentre valori superiori porterebbero a un aumento della velocità oltre la capacità nominale, situazione questa potenzialmente pericolosa con la possibilità di arrecare danni alla chiave pneumatica a percussione. Controllare la pressione d'aria sul regolatore mentre si utilizza la chiave pneumatica a percussione in modo normale.

Lubrificatore della linea d'aria

- ✓ Non utilizzare un tipo d'olio pesante in quanto può causare l'arresto dell'attrezzo durante l'uso e influire negativamente sulle prestazioni.

Il metodo migliore per lubrificare il motore della chiave pneumatica consiste nell'utilizzare un lubrificatore in linea quale **Snap-on** AHR428. Il motore va riempito con lubrificante per motori IM6 o con un olio di buona qualità. **Snap-on** SAE 10W

Se non si utilizza il lubrificatore di linea d'aria, lubrificare il motore pneumatico immettendo giornalmente circa 3,75 ml d'olio per motori pneumatici IM6 nella bocca di entrata dell'aria della chiave prima dell'uso. Data la composizione dell'olio IM6, specificamente studiato per gli attrezzi pneumatici, non si rende necessario un solvente di pulizia.

Serbatoio d'olio

La camera del meccanismo di percussione è stata chiusa ermeticamente in fabbrica e non dovrebbe richiedere, pertanto, il rabbocco d'olio.

Filtro d'aria

Il filtro d'aria è incorporato nella bocca di entrata dell'aria smontabile situata sul lato posteriore della chiave a percussione. Per pulire il filtro da impurità e detriti, eventualmente presenti sulla maglia e nella bocca, è sufficiente smontare quest'ultima e pulire le parti con getti d'aria. Prima di reinserire la bocca, verificare che l'anello O-ring non sia danneggiato. Nel caso, sostituirlo con uno nuovo per impedire perdite d'aria. Serrare la bocca di entrata dell'aria con coppia di serraggio pari a 68–75 N•m.

Istruzioni per la manutenzione

- ✓ Fare riferimento alla Figura 2 per l'elenco delle parti di ricambio. Per la manutenzione e le riparazioni utilizzare esclusivamente parti di ricambio **Snap-on** originali. La manutenzione e le riparazioni devono essere eseguite esclusivamente da personale competente. Contattare un rappresentante **Snap-on** per il manuale dei ricambi e le riparazioni.

Regolatore potenza/frequenza colpi

L'uscita di coppia dipende dalla pressione del tubo dell'aria, dall'impostazione del regolatore e dalla durata del lavoro. La pressione consigliata per il tubo dell'aria è di 6,2 bar/620 kPa. Questo regolatore è situato sulla parte posteriore della chiave e regola la potenza e la frequenza dei colpi solo nel senso di rotazione in avanti. Sono previste tre diverse impostazioni (bassa, media, alta), come indicato sulla parte posteriore dell'utensile.

Leva avanzamento/retromarcia

La leva di avanzamento/retromarcia è ubicata al centro della chiave, sopra il dispositivo di scatto. Per ottenere la rotazione in avanti (in senso orario) dell'incudine, premere la leva verso la parte anteriore dell'utensile. Per ottenere la rotazione indietro (in senso antiorario), premere la leva verso la parte posteriore dell'utensile.

Anello di ritenuta della bussola



AVVERTENZE

Staccare il tubo di erogazione d'aria prima di cambiare le bussole.

Questa chiave pneumatica a percussione è provvista di un anello di ritenuta in acciaio che serve a trattenere i vari tipi di bussola per attrezzi a percussione. L'anello tiene in posizione le bussole esercitando attrito. Sostituire l'anello periodicamente quando la forza per estrarre la bussola scende al di sotto di 1,8 kg per guida quadrata da 9,5 mm.



INFORMACIÓN DE SEGURIDAD

Lea estas instrucciones detenidamente antes de instalar, operar, dar servicio o reparar esta herramienta. Mantenga estas instrucciones en un lugar accesible.

Mensajes de seguridad

Snap-on Tools Company proporciona mensajes de seguridad que incluyen todas las situaciones razonables que se pudieran presentar al operar, mantener o reparar una herramienta neumática. Es responsabilidad de los operadores y de los técnicos de servicio mantenerse bien informados acerca de los procedimientos, herramientas y materiales que se usan y cerciorarse de que los mismos no comprometerán su seguridad y la de otras personas presentes en el lugar de trabajo ni la integridad de la herramienta.

Mensajes de seguridad sobre herramientas mecánicas



ADVERTENCIA



El uso incorrecto de las herramientas mecánicas y de sus accesorios puede hacer que las herramientas se rompan.

- Lea las instrucciones antes de operar herramientas mecánicas.
- Asegúrese de que estas instrucciones acompañen a la herramienta cuando ésta se pase de un usuario a otro nuevo o sin experiencia.
- No retire nunca las etiquetas. Reemplace todas las etiquetas dañadas.

Las herramientas rotas pueden provocar lesiones.



Con el uso de herramientas mecánicas existe el riesgo de que salten partículas.

- Utilice gafas de seguridad, tanto para usted como para los observadores.

Las partículas que salen despedidas pueden provocar lesiones.



Las herramientas mecánicas generan ruido.

- Utilice protectores auditivos, tanto para usted como para los observadores.

La exposición prolongada al ruido puede provocar pérdida de audición.



Las herramientas mecánicas vibran.

- Evite la exposición prolongada a la vibración, los movimientos repetitivos y las posiciones incómodas.
- Deje de usar la herramienta si se produce incomodidad, cosquilleo o si siente dolor. Solicite asistencia médica antes de volver a usar la herramienta.

La exposición prolongada a vibraciones, movimientos repetitivos y posiciones incómodas puede provocar lesiones.



Riesgo de contaminación por polvo peligroso.

- Póngase una mascarilla antipolvo aprobada cuando utilice herramientas mecánicas que produzcan polvo.
- Se ha comprobado que ciertos tipos de polvo que se generan al lijar, aserrar, esmerilar, perforar y realizar otras actividades de construcción contienen componentes químicos que causan cáncer, malformaciones congénitas y otros problemas reproductivos.

La inhalación de polvo peligroso puede resultar perjudicial.

Quando se utiliza la herramienta, pueden producirse cambios repentinos de movimiento o posición.

- Anticipe estos cambios y esté alerta al arrancar la herramienta y durante su empleo.
- Agárrela con fuerza.
- Anticipe la fuerza de reacción. Ajuste su posición y agarre la herramienta con firmeza.
- Compruebe en qué posición se encuentra el mecanismo de marcha atrás antes de encender la herramienta y observe la dirección de rotación cuando oprima el gatillo.

Los cambios súbitos de movimiento o posición pueden provocar lesiones.



Peligro de enredamiento.

- No acerque el cuerpo a las partes móviles.
- No lleve joyas ni ropa suelta cuando opere la herramienta.
- Si tiene el pelo largo, cúbraselos para contenerlo.

- No lleve el dedo en el gatillo cuando no esté utilizando la herramienta.
- Retire cualquier llave de ajuste antes de poner en marcha la herramienta.
- No bloquee el gatillo en la posición de encendido ni lo fije con cinta o alambre, etc. en dicha posición.
- Mantenga el mango seco, limpio y libre de aceite y grasa.
- Cuando cambie de accesorio, apague el suministro de aire y desenchúfelo de la herramienta.

Los enredamientos pueden causar accidentes.



Los vapores inflamables presentan un riesgo de explosión.

- No utilice la herramienta cerca de vapores inflamables ni de un conducto o tanque de gas.
- Dirija el aire de escape de la herramienta en dirección contraria a cualquier llama o superficie caliente que pueda haber.
- No lubrique las herramientas con líquidos inflamables o volátiles como queroseno, gasóleo o carboreactor.
- Utilice únicamente el aceite que recomiende el fabricante.

Las explosiones y las llamas pueden producir lesiones.

El aire de escape contiene aceite de lubricación.

- Utilice la herramienta en un área de trabajo bien ventilada.
- No respire el aire de escape.

La inhalación de nieblas de aceite puede resultar perjudicial.



La electricidad implica el riesgo de sufrir una descarga eléctrica.

- No utilizar con circuitos eléctricos activos ni cerca de ellos, ni bajo la influencia del alcohol, las drogas o algún medicamento.
- La herramienta no tiene aislamiento contra las descargas eléctricas.

Las descargas eléctricas pueden producir lesiones.

El área de trabajo puede contener elementos peligrosos.

- Manténgala limpia y bien iluminada.
- Esté alerta y emplee el sentido común al operar la herramienta. No lo haga si está cansado o bajo la influencia de medicamentos, drogas o alcohol.
- Antes de utilizar la herramienta, compruebe que el dispositivo de desconexión esté instalado en la línea de suministro y que el lugar donde se encuentra sea conocido por todos y de fácil acceso, para que el suministro de aire a la herramienta se pueda apagar fácilmente en caso de emergencia.
- No suelte la herramienta hasta que el accesorio se haya detenido por completo.
- No se exceda al intentar llegar a lugares fuera de su alcance. Mantenga siempre el equilibrio con los pies bien plantados.

- No deje que la herramienta toque a ninguna otra persona.
- Mantenga a cualquier observador a una distancia prudente del área de trabajo.
- Tanto el operario como los observadores deberán llevar vestimenta de protección.
- Dirija el aire de escape de forma que no despidan aire ni partículas de la pieza de trabajo sobre el operario o los observadores.
- Cuando trabaje a cierta altura, sea consciente de las cosas por debajo de usted y a su alrededor.
- Cuando no utilice la herramienta, apague el suministro de aire y apriete el gatillo o palanca para soltar la presión de aire.
- Si no se va a utilizar la herramienta durante un período de tiempo prolongado, lubríquela, desenchúfela de la línea de suministro de aire y guárdela en un lugar seco a temperatura moderada.
- Las herramientas deben guardarse en un lugar alto y seco cerrado con llave para que los niños no puedan alcanzarlas.

Los peligros presentes en el área de trabajo pueden causar lesiones.

Riesgo de latigazos de las mangueras de aire comprimido.

- Sujete bien las líneas de aire.
- Revise regularmente la manguera de aire y las conexiones en busca de señales de desgaste.
- No conecte acoplamientos de conexión rápida directamente a la herramienta.
- Utilice una manguera de aire de un metro y medio (60 pulgadas) como máximo.

Si la manguera de aire comprimido se suelta y empieza a sacudirse puede provocar lesiones.

Los usuarios poco experimentados pueden crear peligros.

- Sujete la pieza de trabajo con una abrazadera o tornillo de banco siempre que sea posible.
- Utilice la herramienta adecuada para cada tarea. No utilice una herramienta demasiado ligera o demasiado pesada para la labor.
- No fuerce la herramienta.
- Opere las herramientas neumáticas a una presión de aire máxima de 6,2 bares, 620 kPa.
- El usuario deberá adoptar prácticas seguras y respetar los requisitos legales locales, regionales y nacionales al instalar, utilizar y mantener esta herramienta.

El uso incorrecto puede causar lesiones.

Las reparaciones incorrectas y la falta de mantenimiento pueden resultar peligrosas.

- No modifique la herramienta ni haga reparaciones provisionales. Use solo repuestos originales de Snap-on para mantenimiento y reparación. Las tareas de mantenimiento y reparación deberán dejarse en manos de técnicos especializados.
- No utilice la herramienta si vibra en exceso, emite ruidos extraños, tiene piezas sueltas o muestra algún otro tipo de desperfecto.

- Si la herramienta no funciona debidamente, deje de utilizarla de inmediato y llévela a reparar. Si no resulta práctico retirarla de servicio, cierre el suministro de aire, escriba una etiqueta de advertencia y póngasela a la herramienta.
- No desmonte los dispositivos de seguridad que haya instalado el fabricante (protector de disco, gatillos de seguridad, limitadores de velocidad, etc.).
- Si la herramienta se estropea y no es posible repararla, desmóntela y limpie la grasa de las piezas. Luego, divida las piezas por material y recíclelas.

El uso de piezas incorrectas, y las reparaciones y mantenimiento inadecuados pueden provocar lesiones.

Seguridad de la llave de impacto



ADVERTENCIA

El uso de casquillos y accesorios dañados o incorrectos puede hacer que salten partículas en suspensión.

- No use casquillos ni accesorios astillados, agrietados ni dañados.
- Utilice sólo casquillos y accesorios de percusión.
- Revise periódicamente la fuerza necesaria para extraer un casquillo del cuadrado. Una fuerza de extracción inadecuada puede hacer que el casquillo se salga al girar.
- Use sólo casquillos flexibles de rótula. No use los casquillos flexibles del tipo bloque cuadrado.

Las partículas en suspensión pueden provocar lesiones.

Riesgo de lesiones personales.

- Las llaves de impacto no son herramientas de control de torsión.
- No use una llave de impacto para controlar la torsión.
- Use una llave dinamométrica para controlar la torsión.

Los tornillos, tuercas, etc. que se hayan apretado a la torsión incorrecta pueden causar daños en el equipo, provocando a su vez posibles lesiones personales.

GUARDE ESTAS INSTRUCCIONES

Especificaciones

Especificaciones a 6,2 bares/620 kPa

Tamaño del impulsor cuadrado	19 mm
Torsión	
En sentido horario (F)	1559 N•m
En sentido antihorario (R)	1695 N•m
Presión de aire recomendada	6,2 barios / 620 kPa, máximo
Consumo de aire, sin carga	46 SCFM
RPM, velocidad en vacío en sentido antihorario	6.200
Golpes por minuto	1.050
Tamaño de la rosca de la entrada de aire	9,5 mm–18 NPT
Tamaño de la manguera del suministro de aire, diámetro interno mínimo	9,5 mm
Torsión de arranque del perno	1830 N•m

Dimensiones

Altura	24,1 cm
Longitud	20,7 cm
Ancho	8,3 cm
Peso	3,68 kg

Ruido* (característica probada de acuerdo con la norma ISO 15744)

Nivel de presión acústica (A)	99,8 dB
Incertidumbre, K	3,0 dB
Nivel de potencia acústica (A)	111,4 dB
Incertidumbre, K	3,0 dB

Vibración* (característica probada de acuerdo con la norma ISO 28927)

Nivel de vibración	10,38 m/s ²
Incertidumbre, K	1,87 m/s ²

**Estos valores declarados se obtuvieron mediante pruebas de laboratorio con los criterios establecidos y no son adecuados para usarse en evaluaciones de riesgo. Los valores medidos en cada lugar de trabajo individual pueden ser superiores. Los valores y riesgos de perjuicio para cada usuario individual son únicos, y dependen del entorno y de la manera en que el usuario trabaje, la pieza en la cual trabaje y el diseño de la estación de trabajo, así como del tiempo de exposición y las condiciones físicas del usuario.*

Snap-on Tools Company no puede hacerse legalmente responsable de las consecuencias de utilizar como referencia los valores declarados, en lugar de utilizar valores que reflejen el grado de exposición real, determinados mediante una evaluación de riesgos individual, en una situación de trabajo sobre la cual Snap-on Tools Company no tiene control.

Usos

La llave neumática de impacto MG1250 de **Snap-on** es ideal para una gran variedad de tareas con sujetadores, tanto en el campo industrial como en el automotriz. Cuando se utiliza con los casquillos de impacto de **Snap-on**, proporciona potencia y velocidad, lo cual aumenta la eficiencia en el trabajo y disminuye la fatiga del operador. Entre sus usos se incluyen operaciones de línea de montaje, retiro de tuercas y pernos oxidados y muchos otros usos especializados.

Suministro de aire

Las herramientas neumáticas funcionan mejor cuando reciben aire limpio, libre de humedad y bien lubricado, a una presión constante de 6,2 bares (620 kPa) como máximo.

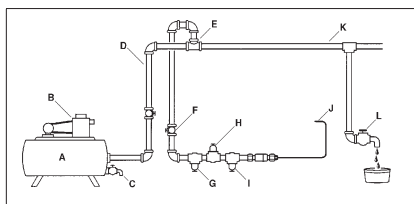


Figura 1: Suministro de aire

- A – Depósito receptor de 151,5 litros o superior
- B – Compresor, capacidad suficiente
- C – Drene diariamente
- D – Tubería y accesorios, mínimo de 12,7 mm
- E – Toma de aire superior
- F – Válvula de cierre, fácil de alcanzar
- G – Filtro
- H – Regulador de aire ajustado a la presión de trabajo
- I – Lubricador
- J – Conexión de la manguera de la herramienta neumática
- K – Punto bajo para atrapar agua
- L – Drene diariamente

Sistema de tuberías

El sistema de tuberías debe ser lo suficientemente grande como para evitar una caída excesiva de la presión bajo condiciones de flujo máximo. Todas las conexiones de tuberías y salidas de mangueras deben ser de 12,7 mm y se deben instalar de manera que no haya puntos bajos donde se acumule agua que no se pueda drenar a diario. No utilice mangueras de aire con diámetro interno inferior a 9,5 mm, ni mangueras que sean demasiado largas, ya que la caída de presión, bajo condiciones de flujo máximo, podría reducir el rendimiento.

- ✓ Hay accesorios disponibles para conexiones herméticas al aire.

Compresor de aire

El compresor de aire debe tener la suficiente capacidad como para generar 6,4 cfm (46 SCFM) a 6,2 bares (620 kPa) en cada salida cuando la herramienta está en funcionamiento. El depósito receptor debe tener capacidad suficiente para satisfacer cualquier exceso de demanda que pueda tener cada herramienta neumática.

Filtro

Se debe utilizar un filtro AHR424 de **Snap-on**, o su equivalente, para asegurar que la herramienta reciba aire limpio. El agua, el polvo y demás impurezas actúan como agentes abrasivos que podrían dañar la herramienta neumática. Se debe instalar un filtro entre el compresor, el regulador de aire y el lubricador de aire.

Regulador de aire

Es preciso contar con una presión de aire regulada para el rendimiento correcto de la llave neumática de impacto. El regulador AHR426 de **Snap-on**, o modelo equivalente, ajustará y mantendrá la presión de aire recomendada de 6,2 bares / 620 kPa. Si la presión es inferior a ese valor, se reduce la eficiencia; mientras que si es mayor, la velocidad aumenta más allá de la capacidad nominal, creando peligros potenciales y posibles daños a la llave neumática de impacto. Revise la presión de aire en el regulador mientras usa la llave neumática en forma normal.

Lubricador para tuberías de aire

- ✓ No use aceite de alta viscosidad, porque se producirán atascamientos y bajo rendimiento.

El método preferido para lubricar el motor de la llave neumática de impacto es usar un lubricador para tuberías de aire tal como el lubricador AHR428 de **Snap-on**. Se debe llenar con aceite IM6 de **Snap-on** para motores neumáticos o bien con un aceite SAE 10W de buena calidad.

Si no se utiliza un lubricador para tuberías de aire, lubrique el motor neumático inyectando aproximadamente 3,75 ml de aceite IM6 para motores neumáticos en la entrada de aire de la llave, cada día antes de usarla. El aceite IM6 está formulado especialmente para herramientas neumáticas y no necesita usarse con un disolvente de lavado.

Depósito de aceite

La cámara del mecanismo de impacto ha sido sellada en la fábrica y no debería necesitar aceite adicional.

Colador de aire

Hay un colador de aire retirable en el buje de entrada de aire, que está situado en la parte trasera de la llave de impacto. Para limpiarlo, retire el buje y use una manguera de aire para retirar las impurezas y demás partículas de la rejilla y del buje. Antes de volver a instalar el buje de la entrada de aire, revise la junta tórica para ver si está dañada. De ser así, reemplácela por otra nueva para impedir la fuga de aire. Apriete a 68–75 N•m el buje de entrada de aire que se ha vuelto a instalar.

Regulador de potencia / frecuencia de impacto

La generación de torsión se regula por la presión de la tubería de aire, el ajuste del regulador y el tiempo de operación. Se recomienda una presión de la tubería de aire de 6,2 barios / 620 kPa. Este regulador se encuentra en la parte posterior de la llave y controla la potencia y frecuencia de los golpes de impacto únicamente en la dirección de avance. Tiene tres ajustes (bajo, medio, alto) tal como se indica en la parte trasera de la herramienta.

Palanca de avance / retroceso

La palanca de avance/retroceso está ubicada en el medio de la llave arriba del disparador. Para la rotación avanzada del yunque (en sentido horario), empuje la palanca hacia la parte delantera de la herramienta. Para la rotación en retroceso (en sentido antihorario), empuje la palanca hacia la parte trasera de la herramienta.

Retenedor de casquillos



ADVERTENCIA

Desconecte la manguera de aire antes de cambiar los casquillos.

La llave neumática de impacto tiene un anillo de seguridad de acero para retener todo tipo de casquillos de impacto. El anillo los sujeta en su lugar por medio de fricción. Será necesario reemplazar el anillo periódicamente cuando la fuerza para quitar el casquillo disminuya a menos de 1,8 kg para un impulsor cuadrado de 19 mm.

Instrucciones de servicio

- ✓ En la figura 2 encontrará una lista de piezas. Use solo repuestos originales de **Snap-on** para mantenimiento y reparación. Las tareas de mantenimiento y reparación deberán dejarse en manos de técnicos especializados. Las piezas de repuesto y el manual de servicio se encuentran disponibles a través del representante autorizado de **Snap-on**.



MG1250

エアインパクトレンチ

安全情報

このツールは、取り扱い説明書を熟読してから設置、操作、整備または修理してください。この取り扱い説明書は、すぐに利用できる場所に保管してください。

安全に関する注意事項

Snap-on Tools Companyは、エアツールを操作、点検、修理する際に生じ得る状況に対する、安全注意事項を提供しています。作業する者および点検技術者には、手順、ツール、使用材料に関し十分な知識を持ち、またそれらの手順、ツール、材料が、仕事場で作業する者やツールの安全性を脅かさないようにする責任があります。

電動ツールの安全性について

警告



パワーツールおよびアクセサリを不適切に使用しないでください。ツールが破損する原因となります。

- パワーツールを使用する前に、本説明書をよくお読みください。
- 初心者ユーザに当ツールを受け渡す際には、必ずこれらの説明書も添えてください。
- ラベルは剥さないでください。破損したラベルは、すべて交換してください。

故障したツールは、負傷の原因となります。



パワーツールの使用中は、切削屑等の飛来物が出ます。

- ユーザおよびその周辺にいる者は、必ず安全保護メガネを着用してください。
- 飛来物は、負傷の原因となります。



パワーツールは、騒音を発生します。

- ユーザおよびその周辺にいる者は、必ず聴覚保護具を着用してください。

保護具を着用せずに騒音に長時間さらされると、難聴の原因となります。



パワーツールは、振動を発生します。

- 振動、反復動作など苦痛を感じる状態に、長時間いることは避けてください。
- 不快感や刺激、痛みを感じた場合は、すぐにツールの使用を止めてください。使用を再開する前に、医師の診断を受けてください。

振動、反復動作など苦痛を感じる状態に長時間いると、負傷の原因となります。



塵埃による汚染の危険性。

- 塵埃を排出するパワーツールを使用する場合は、認可を受けている防塵マスク、または呼吸マスクを着用してください。
- 電動研磨、鋸、研削、ドリル、および他の建設作業から排出される塵埃の中には、癌、出生異常、および生殖への危害の原因となる化学物質が含まれていることがあります。

有害な塵埃を吸い込むと、負傷の原因となります。

ツールの使用中、動きや位置が急に変わる場合があります。

- 起動および操作中は、その動きの変化を予想し、注意して作業してください。
- ツールはしっかりと持ってください。
- 反動力を予想して作業してください。姿勢を直し、ツールをしっかりと持ってください。
- ツールを使用する前に、反転機構の位置をよく観察し、トリガーを押す際は回転方向に注意してください。

動作や位置の急激な変化は、負傷の原因となります。



もつれの危険性。

- 身体を動作部分に近づけないようにしてください。
- ツールを操作するときは、ゆるい服を着用せず、装身具は外してください。
- 長髪の方は、髪を収める安全ヘアキャップを着用してください。
- 指をトリガーにかけてツールを持ち運ばないでください。
- パワーツールの電源をオンにする前に、調整キ一またはレンチを取り外してください。

- トリガをオン位置にロックしたり、テープやワイヤーで固定したりしないでください。
- ハンドルは、乾いて汚れない状態に保ち、油やグリースが付かないようにしてください。
- アクセサリを交換するときは、空圧供給器をオフにして、空圧供給器からツールを取り外してください。

もつれは負傷の原因となります。



可燃性の蒸気があると、爆発することがあります。

- 可燃性蒸気のある場所やガス管またはガスタンクの近くでは使用しないでください。
- ツールの排気は炎や高熱の表面に向けないでください。
- 灯油、ディーゼル油、ジェット燃料などの可燃性または揮発性の液体を、ツールの潤滑剤として使用しないでください。
- メーカー推奨の潤滑剤だけを使用してください。

爆発または火災は、負傷の原因となります。

潤滑油が排気とともに放出されます。

- ツールは換気の良い場所で使用してください。
- 排気を吸い込まないでください。

潤滑油の蒸気が混じった空気を吸い込むと、体に有害です。



電気で感電することがあります。

- 使用中の電気回路上またその近くで使用しないでください。また薬物を服用したりアルコールを飲用したあとでは使用しないでください。
- このツールは感電対策の絶縁が施されています。

感電すると、ケガや火傷をすることがあります。

作業場所は危険となる恐れがあります。

- 作業エリアは清潔にし、採光を十分に取ってください。
- ツールを使用するときは、常に注意して常識を働かせてください。疲れていたり、薬品やアルコールの影響がある場合は、使用しないでください。
- ツールを使用する前に、緊急時にツールへの空気供給をシャットオフできるように、シャットオフ装置が供給パイプに装備されており、その場所がよく分かっており、簡単にアクセスできることを確認してください。
- アクセサリの動作が止まるまでは、決してツールを置かないでください。
- 身を乗り出さないでください。常に適切な足場とバランスを保つようにしてください。
- 周辺にいる人にツールを触らせないでください。

- 周辺にいる人は、作業エリアから安全な距離を保つようにしてください。
- ユーザおよびその周辺にいる人は、必ず適切な保護具を着用してください。
- 排気は、空気や加工物から出る破片がユーザーや周辺にいる人に当たらない方向に向けてください。
- 高所で作業するときは、周囲や下にある物に注意してください。
- ツールを使用しないときは、空気供給をオフにして、トリガーまたはレバーを押して、空気圧を解放してください。
- ツールを一定期間使用しない場合は、グリースアップして空気供給パイプから取り外し、適切な温度の乾燥した場所に保管します。
- ツールを使用しない場合は、小児が触れないように、高く、乾燥した鍵のかかる場所に保管します。

作業場所が危険な場合は、ケガをすることがあります。

圧縮空気パイプが圧力によってはずれる危険があります。

- 空気供給パイプはしっかりと取り付けてください。
- 空気パイプや固定具を定期的に点検して、摩耗していないか調べます。
- ツールに直接クイックコネクト接続具を接続しないでください。
- 60" (150 cm) 以下の長さのウィップエアホースを使用してください。

圧縮空気パイプが急にはずれ、ケガをすることがあります。

訓練を受けていない方が利用すると危険です。

- 可能な場合はいつでも、加工物をクランプやバイスで固定します。
- 正しいツールを使用してください。加工物に対して、軽すぎたり重すぎるツールは使用しないでください。
- ツールは力任せに使用しないでください。
- エアツールは、90 psig (6.2 bar, 620 kPa) を最大空気圧として使用します。
- このツールを取り付け、使用またはメンテナンスするときは、ユーザーは安全な作業業務に従って、すべての地域、地方または国内の法的要件を遵守することが期待されています。

不適切に使用した場合、負傷の原因となります。

不適切な修理やメンテナンスの不足は、危険の原因となります。

- 変更したり、間に合わせの修理はしないでください。メンテナンスや修理には、Snap-on純正交換部品だけを使用してください。メンテナンスや修理は、トレーニングを受けたスタッフだけが実施するべきです。

- 振動が激しすぎる、おかしな音がする、ゆるい部品があるなど、破損の兆候が見られる場合は、ツールを使用しないでください。
- ツールの動作が異常な場合は、使用を中止し、ただちに修理の手配をしてください。修理のためにツールを取り外すことが実際のでない場合は、ツールの空気供給を閉じて、警告タグを作って、そのタグをツールに取り付けます。
- メーカーが装備した安全装置（ホイールガード、安全トリガー、スピードがバナーなど）はどれも取り外さないでください。
- このツールが修理できないほど損傷した場合は、ツールを分解して油分を取り除いてください。その後、材質別にすべての部品を分別してリサイクルしてください。

部品使用、修理またはメンテナンスが不適切な場合、ケガの原因になることがあります。

インパクトレンチの安全に関する注意事項

警告

破損した、または不適切なソケットやアクセサリの使用は、飛来物を発生する原因となります。

- 欠けたりヒビが入ったり破損したソケット、またはアクセサリを使用しないでください。
- インパクト用のソケットおよびアクセサリのみを使用してください。
- 定期的に、スクエアの保持力をチェックしてください。不適当な保持力は、回転時のソケットの脱落を生じます。
- ボールジョイント・フレキシブルソケットのみを使用してください。スクエアブロック型フレックスソケットは使用しないでください。

来物は、負傷の原因となります。

人身損傷の危険。

- インパクトレンチは、トルク制御装置ではありません。
- トルク制御用にインパクトレンチを使用しないでください。
- トルク制御にはトルクレンチを使用してください。

不適切に締められたファスナーは装置破損の原因となり、その結果人身障害を引き起こす可能性があります。

これらの説明書を大切に保管してください

仕様

90 psig (6.2 bar, 620 kPa) での仕様

スクエアドライブサイズ	19mm
トルク	
右方向 (前進)	1,559N•m
左方向 (後退)	1,695N•m
推奨する空気圧	6.2バール、620 kPa 以下
空気消費量、フリースピード	46 SCFM
RPM, 空気消費量 CCW	6200
空気取り入れロスレッドサイズ	9.5mm-18NPT
エアサプライのホースサイズ内径	9.5mm 以上
ボルト分離トルク	1,830N•m

寸法

高さ	24.1 cm
長さ	20.7 cm
幅	8.3 cm
重量	3.68 kg

騒音* (ISO 15744に基づきテスト済み)

音圧レベル (A)	99.8 dB
不確定、K	3.0 dB
音圧レベル (A)	111.4 dB
不確定、K	3.0 dB

振動* (ISO 28927に基づきテスト済み)

振動レベル	10.38 m/s ²
不確定、K	1.87 m/s ²

*これらの表記値はラボのような記述基準に従ったテストで得ており、リスク評価の使用には適切ではありません。それぞれの仕事場で測定した値は高くなる場合があります。作業環境や、使い方、加工物、ワークステーションの設計のほか、作業時間や作業者の健康状態に応じて、各数値と危険のリスクは異なります。

Snap-on Tools Company では、弊社が制御できない、仕事場の個々のリスク評価で決定した実際の露出を反映する値の代わりに、表記値を使った結果に対して責任は負いかねます。

用途

Snap-on MG1250 インパクトレンチはさまざまなファスナーに適しており、自動車分野や産業分野両方での作業が可能になります。

Snap-on インパクトソケットと併用すれば、パワーと速度が大幅にアップし、仕事効率が上昇するだけでなく、作業者の疲労を軽減します。用途には、アセンブリライン操作、錆ついたナットやボルトの取り外し、その他多くの専門化したものがあります。

空気供給

エアツールは、清潔で湿気のない、潤滑が十分な空気に、一定の最大空気圧90 psig (6.2 bar、620 kPa)を加えたときに最適に動作します。

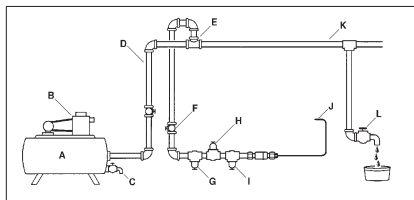


図1: 空気供給

- A - レシーバータンク、最小40ガロン (151.5リットル)
- B - コンプレッサ、十分な容量があります
- C - 排水口、毎日水を抜いてください
- D - パイプおよび取付具、最小1/2"
- E - 上部空気取入口
- F - シャットオフバルブ、簡単に手が届きます
- G - フィルター
- H - エアレギュレーター、作業圧力に設定します
- I - 潤滑器
- J - エアツール接続部
- K - ロースポット、ウォータートラップ
- L - 排水口、毎日水を抜いてください

パイプシステム

パイプシステムは、最大空気圧を保てるように十分な大きさが必要です。すべてのパイプ取付具およびパイプ放出口は1/2インチとして、毎日排水できない水がたまるらないよう配置する必要があります。3/8" ID未満のエアパイプまたは長すぎるパイプは使用しないでください。最大空気圧が低下すると、ツールの性能が低下することがあります。

- ✓ 気密接続用にアクセサリーを入手できます。

エアコンプレッサー

エアコンプレッサーは、ツールの動作中、各空気放出口から90 psig (6.2 bar、620 kPa)の圧力で6.4 cfm (46 SCFM)の空気を供給できる十分な能力が必要です。レシーバータンクは、各エアツールがサージバランスを保てるように、十分な容量が必要です。

フィルター

ツールに清潔な空気を供給するために、**Snap-on** AHR424フィルターまたは同等のものを使用してください。水、ゴミまたはスケールは研磨剤として作用して、エアツールを傷つけることがあります。フィルターユニットは、コンプレッサと空気レギュレータおよび空気潤滑器の間に取り付けます。

エアレギュレータ

特定の空気圧は、エアインパクトレンチの正しいパフォーマンスに必要です。AHR426レギュレータ、または同等品は推奨する空気圧6.2バール、620kPaを調整し、維持します。**Snap-on** これより低くすると効率性が減少し、これより高くすると定格された容量を超えて噴出と速度が増し、エアインパクトレンチの危険を引き起こす原因と損傷する可能性が生成されます。標準の方法でインパクトレンチを使用している間、レギュレータの空気圧をチェックしてください。

エアライン潤滑装置

- ✓ 失速とパフォーマンス低下の原因となるので、重い油は使用しないでください。

エアモーターに潤滑油を差す際の推奨方法は、**Snap-on** AHR428潤滑装置を使用することです。**Snap-on** IM6 エアモーター油または高品質のSAE 10W 油を注入する必要があります。エアライン潤滑装置を使用しない場合、毎日使用する前に約3.75mlのIM6エアモーター油をラチェットの空気吸い込み口に注入することによって潤滑してください。IM6 油はエアツール用に考案され、洗浄溶剤は必要ありません。

オイルリザーバ

インパクトメカニズムの空気室は工場で密閉されているため、オイルを追加する必要はありません。

エアストレーナ

エアストレーナは、インパクトレンチの背面にある取り外し可能な空気吸い込み口軸受に組み込まれています。クリーニングするには、軸受を取り外しエアホースを使用して、スクリーンと軸受から埃やその他の粒子を吹き飛ばします。空気吸い込み口軸受を再び取り付ける前に、Oリングが損傷していないかチェックしてください。損傷している場合、空気漏れを防ぐため新しい Oリングと交換してください。再装着時には、68-75 N・mでトルク締めしてください。

インパクトパワー/周波数 レギュレータ

トルク出力はエアライン圧力、レギュレータ設定、作業にかかる時間により管理されます。6.2バール/620 kPaのエアライン圧力をお勧めします。このレギュレータは、レンチの背部にあり、前進方向のみの打撃の力と頻度を調整します。ツールの背部に示すように、3つの設定（低、標準、高）を行えます。

前進/後退レバー

前進/後退レバーは、トリガーの上のレンチ中央部にあります。前進（右方向）アンビル回転の場合、レバーをツールの正面の方に押してください。後退（左方向）回転の場合、レバーをツールの背部の方に押してください。

ソケットリテイナー



警告

ソケットを変更する前に、エアホースを取り外してください。

インパクトレンチは、全種類のインパクト能なを保持する、スチールロックリングを備えています。リングは摩擦によって所定の場所に保持されます。ソケットを取り外す力が9.5 mmスクエアドライブに対して0.4 N・m 以下に落ちる場合は、リングを交換する必要があります。

サービス指示

- ✓ 部品リストについては図2を参照してください。メンテナンスや修理には、**Snap-on** 純正交換部品だけを使用してください。メンテナンスや修理は、訓練を受けたサービスエンジニアにのみ行わせてください。修理部品やサービスマニュアルは、最寄りの**Snap-on**代理店で取り扱っております。

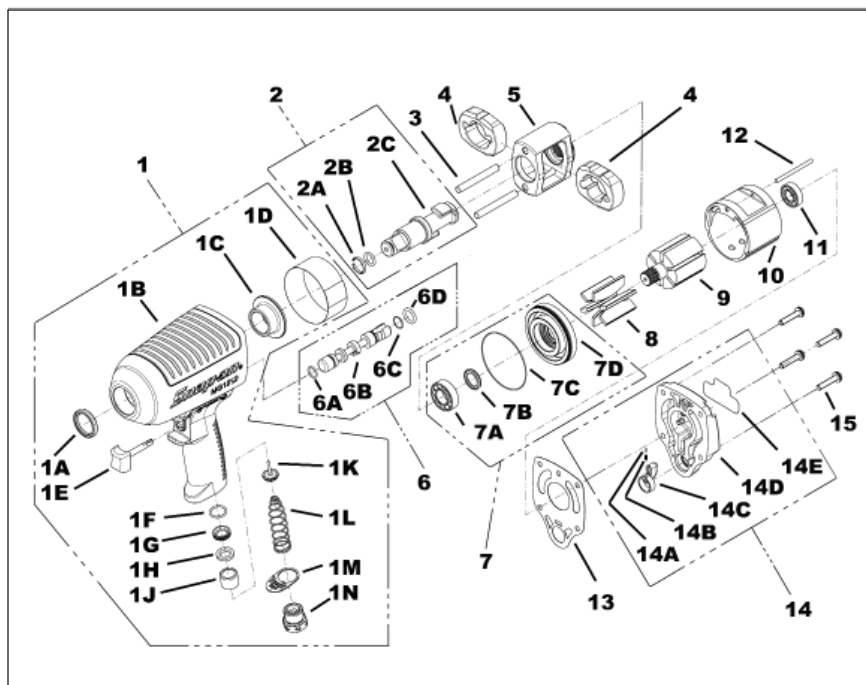


Figure 2: MG1250 Pneumatic Impact Wrench

Parts Listing

Ref	Description	Part Number	Ref	Description	Part Number
1	housing assembly	MG1250-101	7B	oil seal	1 MG1200-33
1A	oil seal	MG1200-25	7C	o-ring	1 MG1200-21
1B	housing **	MG1250-1	7D	front end plate **	1 MG1200-4
1C	nose bushing	MG1200-26	8	vane	6 MG1200-50-6V
1D	sleeve	MG1200-5	9	rotor	1 MG1250-6
1E	trigger	MG1200-6	10	cylinder liner	1 MG1200-507
1F	o-ring	MG1200-8	11	bearing	1 MG1200-22
1G	bushing	MG1200-10	12	alignment pin	1 MG1200-23
1H	valve seat	MG1200-15	13	gasket	1 MG1200-3
1J	bushing	MG1200-16	14	end cap assembly	1 MG1250-102R
1K	trigger valve	MG1200-18	14A	ball	1 MG1200-34
1L	spring	MG1200-19	14B	spring	1 MG1200-35
1M	deflector	MG1200-20	14C	lever	1 MG1200-36
1N	adapter bushing assy	MG1200-17	14D	end cap **	1 MG1250-2
2	anvil assembly	MG1250-12R	14E	warning label	1 S52492
2A	steel ring	ME7A136	15	screw	4 MG1200-24
2B	o-ring	ME7B44			
2C	anvil **	MG1250-12		Available Accessories	
3	pin	MG1250-14	*	boot	1 MG1200BOOT
4	hammer	MG1250-13			
5	frame	MG1250-11		Optional Anvils	
6	reverse valve assembly	MG1250-109	*	Long (3") Anvil Assy (anvil, steel ring, o-ring)	1 MG1250L12R
6A	o-ring	MG1200-37	*	Extra Lg (6") Anvil Assy (anvil, steel ring, o-ring)	1 MG1250XL12R
6B	reverse valve **	MG1200-9	*	Pin (thru hole type) Anvil	1 MG1250P12
6C	o-ring	MG1200-38			
6D	o-ring	MG1200-7			
7	front end plate assy	MG1250-104			
7A	bearing	MG1200-32			

* not shown

** not available separately

Trademark Acknowledgements
Snap-on® is a registered trademark of
Snap-on Incorporated

DECLARATION OF CONFORMITY

Manufacturer:
Snap-on Tools Company
2801 80th Street
Kenosha, WI 53141-1410, U.S.A.

Product: **Pneumatic Impact Wrench**
 Model No: **MG1250**
 Serial Number: **1245XXXX-->XXXXXXXXXX**

The undersigned hereby declares, on behalf of the above-referenced manufacturer and product(s), to which this declaration relates, is in conformity with the provisions of:

Machinery Directive: 2006/42/EC
Safety: EN 792-6:2000+A1:2008
Vibration: ISO 28927-2:2009
Noise: ISO 15744:2008

The Technical Construction File is maintained at:
Snap-on Tools Company
2801 80th Street
Kenosha, WI 53141-1410, U.S.A.

The authorized representative located within the Community is:
Matthew Law
Snap-on Tools Ltd
Telford Way Industrial Estate
Kettering, Northants
NN16 8SN
United Kingdom



John Fuhreck
Director of Engineering - Power Tools
Snap-on Tools Company
2801 80th Street
Kenosha, WI 53141-1410, U.S.A.
www.snapon.com 11/2012

Verwijzingen naar handelsmerken
Snap-on® is een gedeponeerd handelsmerk van
Snap-on Incorporated

VERKLARING VAN OVEREENSTEMMING

Fabrikant:
Snap-on Tools Company
2801 80th Street
Kenosha, WI 53141-1410, VS

Product: **Pneumatische slagmoersleutel**
 Modelnr.: **MG1250**
 Serienummer: **1245XXXX-->XXXXXXXXXX**

De ondergetekende verklaart hierbij, namens de bovengenoemde fabrikant, dat het (de) product(en) waarop deze verklaring betrekking heeft, voldoet (voldoeden) aan de eisen van:

Machinerichtlijn: 2006/42/EG
Veiligheid: EN 792-6:2000+A1:2008
Trilling: ISO 28927-2:2009
Geluid: ISO 15744:2008

Het technisch constructedossier wordt bewaard bij:
Snap-on Tools Company
2801 80th Street
Kenosha, WI 53141-1410, VS

De in de Gemeenschap gevestigde gevolmachtigde vertegenwoordiger is:
Matthew Law
Snap-on Tools Ltd
Telford Way Industrial Estate
Kettering, Northants
NN16 8SN
Verenigd Koninkrijk



John Fuhreck
Director of Engineering - Power Tools
Snap-on Tools Company
2801 80th Street
Kenosha, WI 53141-1410, VS
www.snapon.com 11/2012

Marques déposées
Snap-on® est une marque déposée de
Snap-on Incorporated

DÉCLARATION DE CONFORMITÉ

Fabricant :
Snap-on Tools Company
2801 80th Street
Kenosha, WI 53141-1410, É.-U.

Produit : **Clé à chocs pneumatique**
 Modèle : **MG1250**
 Numéro de série : **1245XXXX-->XXXXXXXX**

Le signataire de ce document certifie, au nom du fabricant référencé ci-dessus, que le(s) produit(s) concerné(s) par cette déclaration sont conformes aux dispositions des textes suivants :

Directive sur les machines : 2006/42/CE
Sécurité : EN 792-6:2000+A1:2008
Vibration: ISO 28927-2:2009
Bruit : ISO 15744:2008

Le fichier de construction technique est tenu à jour à :
Snap-on Tools Company
2801 80th Street
Kenosha, WI 53141-1410, É.-U.

Le représentant agréé dans la communauté est :
Matthew Law
Snap-on Tools Ltd
Telford Way Industrial Estate
Kettering, Northants
NN16 8SN
Royaume-Uni



John Fuhreck
 Directeur ingénierie – Outils électriques
Snap-on Tools Company
2801 80th Street
Kenosha, WI 53141-1410, É.-U.
www.snapon.com 11/2012

Markenhinweise
Snap-on® ist eine eingetragene Marke von
Snap-on Incorporated

KONFORMITÄTSERKLÄRUNG

Hersteller:
Snap-on Tools Company
2801 80th Street
Kenosha, WI 53141-1410, USA

Produkt: **Druckluftschlagschrauber**
 Modell-Nr.: **MG1250**
 Seriennummer: **1245XXXX-->XXXXXXXX**

Der Unterzeichnende erklärt im Namen des zuvor aufgeführten Herstellers und für das Produkt, auf das sich die Erklärung bezieht, dass sich dieses in Übereinstimmung mit den folgenden Normen befindet:

Maschinenrichtlinie: 2006/42/EG
Sicherheit: EN 792-6:2000+A1:2008
Schwingungsemission: ISO 28927-2:2009
Geräuschemission: ISO 15744:2008

Die technische Produktdokumentation wird gepflegt von:
Snap-on Tools Company
2801 80th Street
Kenosha, WI 53141-1410, USA

Der Bevollmächtigte innerhalb der Europäischen Gemeinschaft ist:
Matthew Law
Snap-on Tools Ltd
Telford Way Industrial Estate
Kettering, Northants
NN16 8SN
Vereinigtes Königreich



John Fuhreck
 Technischer Direktor – Power Tools
Snap-on Tools Company
2801 80th Street
Kenosha, WI 53141-1410, USA
www.snapon.com 11/2012

Marchi registrati

Snap-on® è un marchio depositato della
Snap-on Incorporated

DICHIARAZIONE DI CONFORMITÀ

Produttore:

Snap-on Tools Company
2801 80th Street
Kenosha, WI 53141-1410, Stati Uniti

Prodotto: **Chiave pneumatica a percussione**
Modello n.: **MG1250**
Numero di serie: **1245XXXX-->XXXXXXXXX**

Si dichiara, a nome del produttore di cui sopra, che i prodotti sopra indicati e ai quali si riferisce questa dichiarazione, sono conformi alle seguenti normative:

Direttiva Macchine: 2006/42/CE
Sicurezza: EN 792-6:2000+A1:2008
Vibrazioni: ISO 28927-2:2009
Rumore: ISO 15744:2008

Il fascicolo tecnico della costruzione è archiviato presso:

Snap-on Tools Company
2801 80th Street
Kenosha, WI 53141-1410, Stati Uniti

Il mandatario stabilito nella Comunità è:

Matthew Law
Snap-on Tools Ltd
Telford Way Industrial Estate
Kettering, Northants
NN16 8SN
Regno Unito



John Fuhreck
Direttore tecnico - Elettrotensili
Snap-on Tools Company
2801 80th Street
Kenosha, WI 53141-1410, Stati Uniti
www.snapon.com 11/2012

Aceptación de marcas comerciales

Snap-on® es marca registrada de
Snap-on Incorporated

DECLARACIÓN DE CONFORMIDAD

Fabricante:

Snap-on Tools Company
2801 80th Street
Kenosha, WI 53141-1410, EE.UU.

Producto: **Llave neumática de impacto**
Modelo No: **MG1250**
Número de serie: **1245XXXX-->XXXXXXXXX**

El abajo firmante declara, en nombre del fabricante y en relación con el producto o productos antedichos, que cumple con las siguientes cláusulas de:

Directiva de maquinaria: 2006/42/EC
Seguridad: EN 792-6:2000+A1:2008
Vibración: ISO 28927-2:2009
Ruido: ISO 15744:2008

El archivo de fabricación técnica se conserva en:

Snap-on Tools Company
2801 80th Street
Kenosha, WI 53141-1410, EE.UU.

El representante autorizado que se encuentra dentro de la Comunidad es:

Matthew Law
Snap-on Tools Ltd
Telford Way Industrial Estate
Kettering, Northants
NN16 8SN
Reino Unido



John Fuhreck
Director de Ingeniería - Herramientas mecánicas
Snap-on Tools Company
2801 80th Street
Kenosha, WI 53141-1410, EE.UU.
www.snapon.com 11/2012



TWO YEAR LIMITED WARRANTY

AIR TOOLS

SNAP-ON INCORPORATED WARRANTS THAT SNAP-ON POWER TOOL PRODUCTS ARE FREE FROM DEFECTS IN WORKMANSHIP AND MATERIALS. Snap-on will repair or replace these tools which fail to give satisfactory service due to defective workmanship or materials.

The warranty for Snap-on Air Tools is listed ABOVE from the date of the original purchase. Repair or replacement shall be at the election and expense of Snap-on. Except where unreasonable, the product must be returned to Snap-on or a Snap-on dealer for warranty service. Snap-on does not provide any warranty for products subjected to abnormal use. Abnormal use includes misuse, modification, unreasonable use, neglect, lack of maintenance, use in production-related service, or use after the tool is significantly worn.

Consumable products are not covered by any warranty. Consumable products are goods reasonably expected to be used up or damaged during use, including but not limited to drill bits, saw blades, grinding discs, sanding discs, knife blades, files, taps, dies, oxygen sensors and non-rechargeable batteries.

SNAP-ON SHALL NOT BE LIABLE FOR ANY INCIDENTAL, SPECIAL OR CONSEQUENTIAL COSTS OR DAMAGES INCURRED BY THE PURCHASER OR OTHERS (including, without limitations, lost profits, revenues, anticipated sales, business opportunities, goodwill, or interruption of business and any other injury or damage. Some states do not allow the exclusion or limitation of incidental or consequential damages, so the above limitation or exclusion may not apply to you. This warranty is your exclusive remedy and is in place of all other rights and remedies. You may have other rights which vary from state to state or country.

SNAP-ON INCORPORATED
Kenosha, WI 53141-1410
www.snapon.com

Trademark Acknowledgements

Snap-on[®] is a registered trademark of Snap-on Incorporated