



P-SERIES HOLDING PLIERS

P-Series pliers are made of ball-bearing grade steel allowing greater resiliency, toughness and ability to withstand greater impact

Features and Benefits

- Heat treated frame provides exceptional tool life
- Hot forged technology aligns grain structure of proprietary alloyed steel to follow the profile of the shank giving the pliers extraordinary tenacity and toughness
- Hardened to 42-46 HRC
- Precision grinding in joint greatly reduces friction providing smooth operation without lubrication
- Screw joint minimizes friction and maximizes jaw alignment
- Internal torsion spring returns the pliers to the opening position keeping the tools always ready to work while minimizing hand fatigue
- Precise serrations allow confident gripping of delicate materials



P90050
P91045
P91055
P91355
P92050
P92055
P92650
P93050

CE – Not Required

Country of origin: Spain



P SERIES HOLDING PLIERS

P92050 & P92055

Needle nose pliers with serrated jaws for working in confined spaces



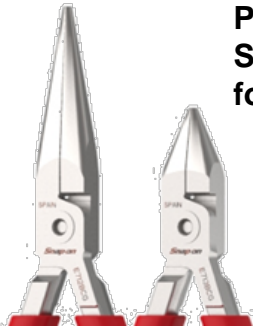
P91355 & P92650

Needle nose pliers with bent tips and serrated jaws for handling small parts in confined spaces



P91045 & P91055

Snipe nose pliers with serrated jaws for gripping small components



P90050

Round nose pliers for handling and bending wire



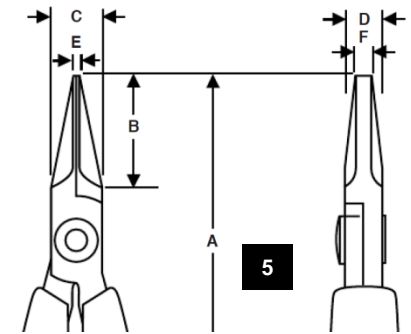
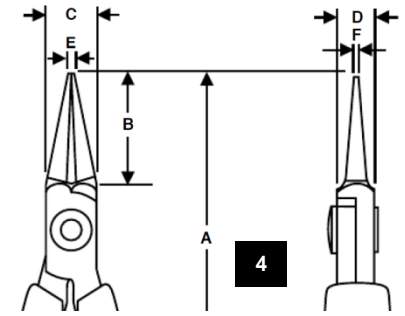
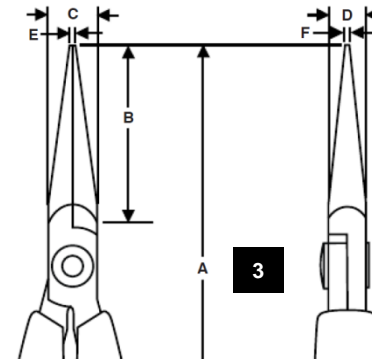
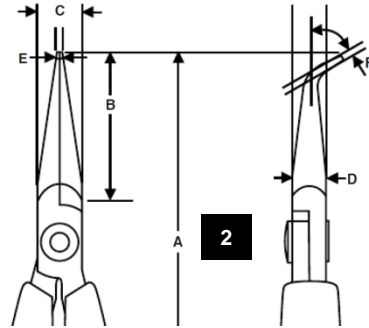
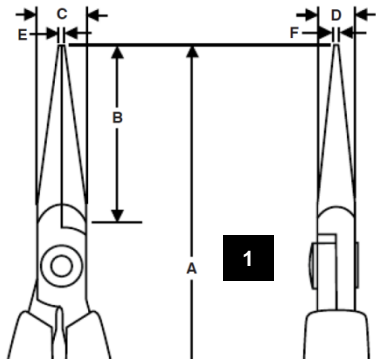
P93050

Flat nose pliers for handling delicate small parts





P SERIES HOLDING PLIERS



Specifications

WARNING

• Broken tips or cut material can fly
Wear safety goggles (User and Bystander).

Plastic handle does not protect against electrical shock

Read additional safety precautions on pages W1 to W4 in product catalog CAT1300.

Part #	A	B	C	D	E	F	Jaws	Head style	Schematic
	(mm)	(mm)	(mm)	(mm)	(mm)	(mm)			
P92050	130	31	12.5	7.6	1.8	1.8	Serrated	Short	1
P92055	145	44	12.5	7.6	1.8	1.8	Serrated	Long	1
P91355	141	46.8	12.5	7.6	1.8	1.8	Serrated	$\alpha 45^\circ$	2
P92650	125	31	12.5	7.6	1.8	1.8	Serrated	$\alpha 90^\circ$	2
P91045	121	20	12.5	7.6	1.8	1.8	Serrated	Short	3
P91055	144	43	12.5	7.6	1.8	1.8	Serrated	Long	3
P90050	127	26	12.5	7.6	2.9	1.4	Smooth		4
P93050	129	28	12.5	7.6	1.8	3.5	Smooth		5