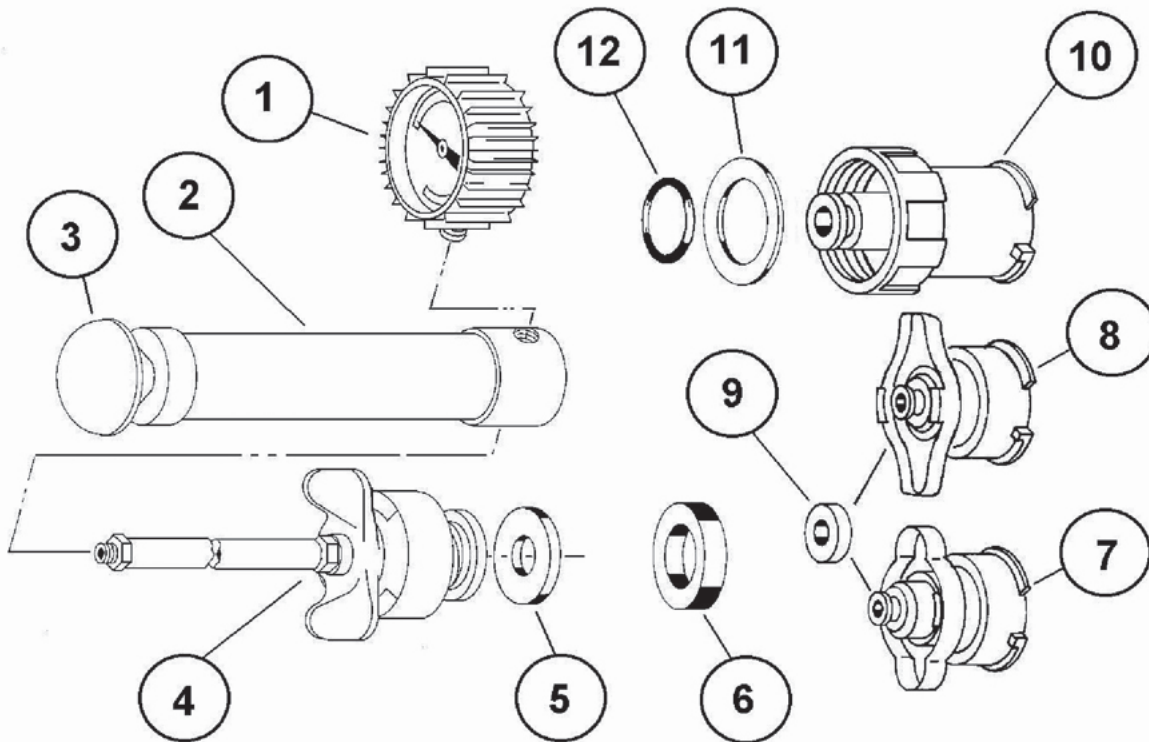


SVTS262C - Cooling System Pressure Tester Kit



Key	Stock Number	Description
1	SVTS263-2	PRESSURE GAUGE ONLY
2	SVT26232	PUMP ASSEMBLY WITH KNOB, GAUGE NOT INCLUDED
3	SVT261-3	KNOB ONLY
4	SVT26233	TESTER HEAD WITH HOSE ASSEMBLY
5	SVT262-19	TESTER SEAL
6	SVT262-22	SPACER WASHER, (1/4" THICK RUBBER WASHER)
7	SVT262-28A	32MM X 15MM RADIATOR ADAPTER WITH SEAL, SILVER
8	TA38C	32MM X 9.5MM RADIATOR ADAPTER WITH SEAL, GOLD
9	SVT262-30	RUBBER SEAL, FOR 32MM RADIATOR ADAPTERS
10	TAB10036	RADIATOR ADAPTER
11	TAGASKETA	RUBBER SEAL FOR #TAB10036
12	TAGASKETA	RUBBER O-RING FOR #TAB10036
-	SVT262-23	PLASTIC CARRYING CASE (Not shown)



WARNING



Read instructions before use.

Brand Marketing, Kenosha, WI

THERE IS A DIFFERENCE™

Snap-on and There is a Difference are trademarks of Snap-on Incorporated. All other marks are trademarks of their respective holders. ©2008 Snap-on Incorporated. All Rights Reserved. www.snapon.com.