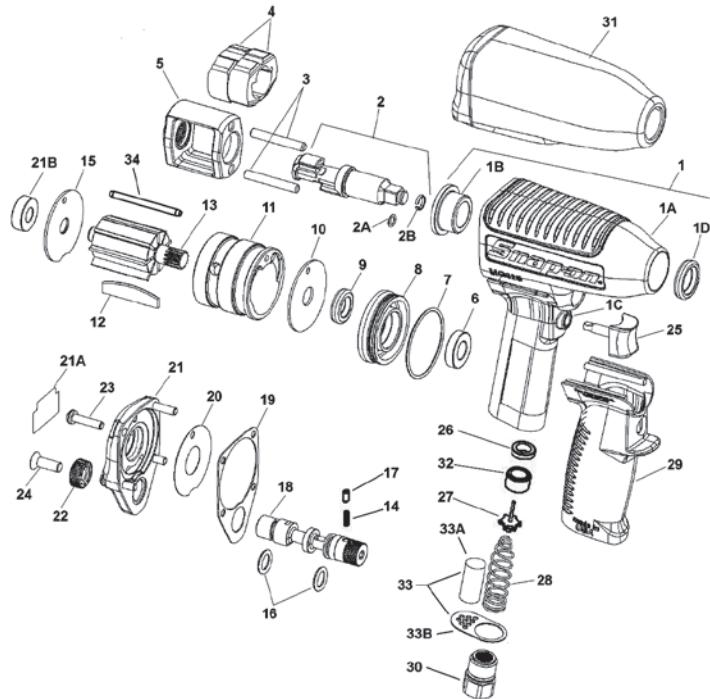


# MG325/MG325P - 3/8" Drive Air Impact Wrench



Key	Stock Number	Description	Key	Stock Number	Description
1	MG325-1R	Housing for MG325/MG325P	20	MG325-33	Gasket
1A	MG325-29	Top Pad	21	MG325-2R	End Cap for MG325/MG325P
1B	ME11C10	Nose Bushing	21A	SS2492	Label
1C	ME11D15	Trigger Bushing	21B	ME11A12	Rear Ball Bearing
1D	ME6A29	Oil Seal	22	MG725-16	Regulator Knob
*2	MG31-12R	Anvil for MG325	23	ME3R6A	End Cap Screw #10
*2A	ME7B63	O-Ring	24	ME3C11	FH Screw
*2B	ME7A148	Steel Ring	25	MG31-200	Trigger and Stem Assembly
3	IM3100-14	Frame Pin (2)	26	MG725-22	Valve Seat
4	IM3100-13	Engagement Dog (2)	27	MG725-20	Trigger Valve
5	MG325-11	Frame (2)	28	ME1A226	Spring
6	ME11A46	Front Ball Bearing	29	MG31-28	Grip
7	ME7B109	O-Ring	30	ME6F1A	Adapter Bushing
8	MG31-4	Front End Plate	31	MG325BOOT	Boot for MG325/MG325P
9	ME6A12	Oil Seal	32	MG725-21	Valve Cup
10	MG31-501	Wear Plate	33	MG31MKIT	Muffler Kit
11	MG325-7	Cylinder Liner	33A	MG31-34	Muffler
12	MG31-530-8V	Vane (set of 8)	33B	MG31-35	Muffler Plate
13	MG325-506	Rotor	34	ME2A149	Pin, Motor
14	ME1A168C	Spring	<b>MG325P: Pinned Anvil</b>		
15	MG325-502	Rear Wear Plate	*2	MG31P12R	Anvil for MG325P
16	ME7B111	O-Ring (2)	-	ME2C55	Pin (not shown)
17	FAR72A306A	Plunger	-	ME1A267	Spring (not shown)
18	MG325-9	Reverse Valve	-	IMBFP1-1	Locking Button (not shown)
19	MG325-3	Gasket			



Brand Marketing, Kenosha, WI

