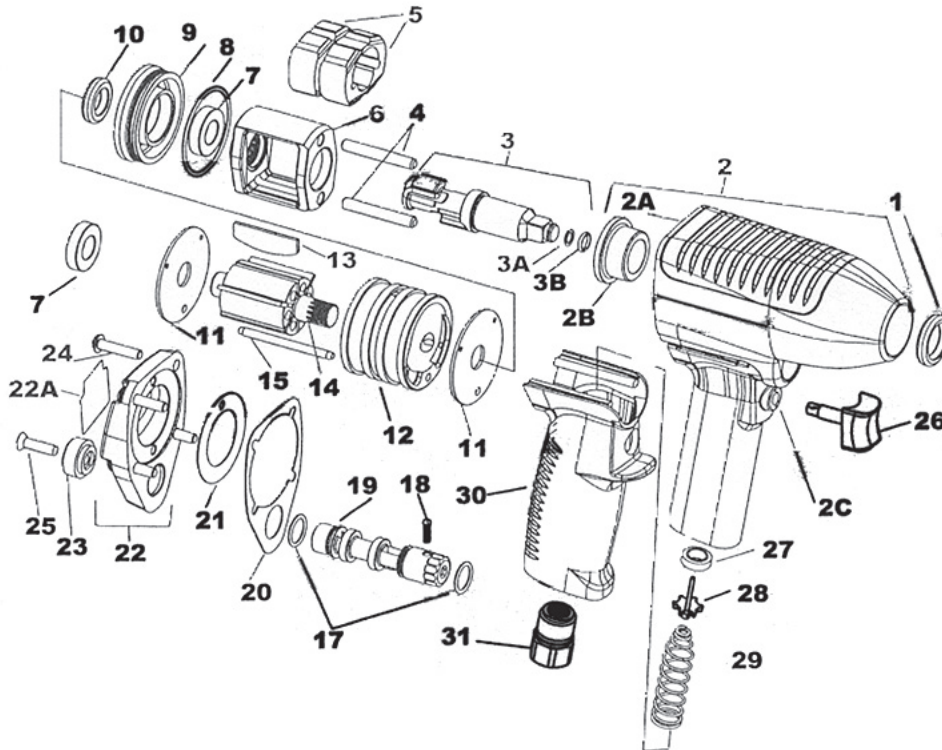


MG31 - Pneumatic Impact Wrench



Key	Stock Number	Description	Key	Stock Number	Description
1	ME6A29	Oil Seal	18	MG31-300	RV Detention Screw
2	MG31-1R	Housing	19	MG31-9A	Reverse Valve
2A	MG31-29	Top Grip	20	MG31-3	Gasket
2B	ME11C10	Nose Bushing	21	MG31-33	Gasket
2C	MG31-23	Trigger Bushing	22	MG31-2R	End Cap
3	MG31-12R	Anvil	22A	SS2492	Label
3A	ME7B63	O-Ring	23	MG31-16	Regulator Knob
3B	ME7A148	Ring	24	ME3R6A	End Cap Screw #10 (4)
4	IM3100-14	Pin (2)	25	ME3C10	10-32 FH Screw
5	IM3100-13	Engagement Dog (2)	26	MG31-200	Trigger and Stem Assembly
6	IM3100-11	Frame	27	IM3100-22	Valve Seat
7	ME11A46	Ball Bearing (2)	28	IM3100-20	Trigger Valve
8	ME7B109	O-Ring	29	ME1A226	Spring
9	MG31-4	Front End Plate	30	MG31-28	Grip
10	ME6A12	Oil Seal	31	ME6F1A	Adapter Bushing
11	MG31-501	Wear Plate (2)			
12	MG31-507	Cylinder Liner			
13	MG31-530-8V	Vanes (8)			
14	MG31-506	Rotor			
15	ME3A155	Alignment Pin			
17	ME7B111	O-Ring (2)			

Available Accessories:

-	MG31BOOT	Boot (not shown)
-	MG31MKIT	Muffler Kit (not shown)



WARNING



Read instructions before use.

Brand Marketing, Kenosha, WI