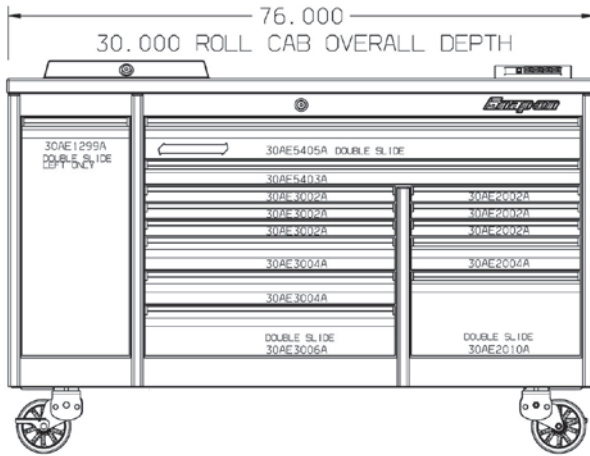


KERP763B5 - EPIQ Roll Cabs



Key	Stock Number	Description
	KN983	Snap-on Logo
	K1LA	Lock assembly
	1-1347	Lockwasher for lock
	8-337-3	Hex nut for lock
	8-18337-4	Cam screw for lock
	8-23537-6	Spring Clip for lock
	8-20237-1A	Cam for Lock
	763AERP1225	Lock Rod
	1-17941	Washer
	KEYFOB07	Key Fob
	763J50PA	Handle Assembly—Bright
	763J506000	Handle Hardware Kit
	30AE1299A_ _ _	PowerBank Drawer (add paint code suffix*)**
	12991A00_ _ _	Drawer Front (add paint code suffix*)** included
	1-8526R	1/4-20X5/8 BUTTON HD/ T.C.SCREW, Black (4 pk, 6 req)
	1-8633	1/4-20 HEX FLANGE NUT & LW (Black) (2)
	1-8741	1/4 Flat Washer (Black) (6)
	30AE12994_ _ _	Protector Panel (add paint code suffix*) (**included)
	10-00187B	TR,DR U SLVR BRIT 13.375 PowerBank (**included)
	10-00188B	TR,DR L SLVR BRIT 13.438 PowerBank (**included)
	763AERP37	Internal Cable Tray Kit
	1-6058	Rivet (3)
	30AE2036PV	OPTIONAL sliding parts tray for Narrow Bank

Key	Stock Number	Description
	30AE7196_ _ _	Sliding Drawer Cover (add paint code suffix*)
	30AE2002A_ _ _	2" Drawer for Narrow Bank (3) (add paint code suffix*)†
	30AE2004A_ _ _	4" Drawer for Narrow Bank (add paint code suffix*)†
	30AE2010A_ _ _	10" Drawer for Narrow Bank (add paint code suffix*)†
	10-00287B	TR,DR U SLVR BRIT 21.375 Nar- row Bank (5) (†included)
	10-00288B	TR,DR L SLVR BRIT 21.438 Nar- row Bank (5) (†included)
	30AE3036PV	OPTIONAL sliding parts tray for Wide Bank
	30AE3002A_ _ _	2" Drawer for Wide Bank (3) (add paint code suffix*)‡
	30AE3004A_ _ _	4" Drawer for Wide Bank (2) (add paint code suffix*)‡
	30AE3006A_ _ _	6" Drawer for Wide Bank (add paint code suffix*)‡
	10-00387B	TR,DR U SLVR BRIT 31.875 Wide Bank (6) (‡included)
	10-00388B	TR,DR L SLVR BRIT 31.9375 Wide Bank (6) (‡included)
	30AE5403A_ _ _	3" Drawer for Extra Wide Bank (add paint code suffix*)#
	30AE5405A_ _ _	5" Drawer for Extra Wide Bank (add paint code suffix*)††
	10-00587B	TR,DR U SLVR BRIT 55.875 Extra Wide Bank (2) (††included)
	10-00588B	TR,DR L SLVR BRIT 55.9375 Extra Wide Bank (2) (††included)

(Parts list continued on Page 2)

*Paint Codes: **PBO** = Red, **PAW** = Green Mica, **PC** = Black, **PCM** = Royal Blue, **PDG** = Midnight Blue, **PES** = Ultra Yellow, **PEV** = Deep Purple, **PJH** = Candy Apple, **PJJ** = Extreme Green, **PJK** = Electric Orange, **PKS** = Arctic Silver, **PM** = Cranberry, **PU** = White



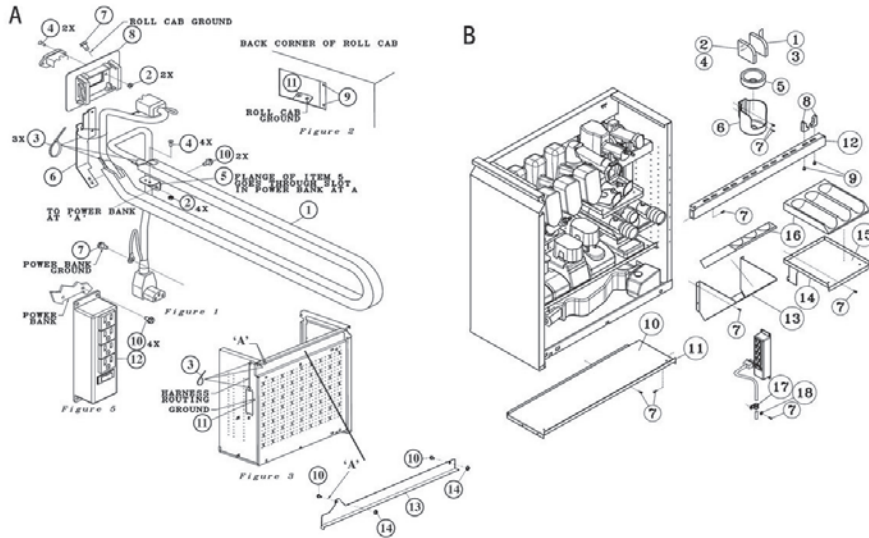
WARNING



Read instructions before use.

Brand Marketing, Kenosha, WI

KERP763B5 - EPIQ Roll Cabs



Key	Stock Number	Description	Key	Stock Number	Description
	INPULSEKITA	Inpulse Drawer Latch Kit (Right and Left Set; one set included with each drawer assembly) (14)	A14	1-9133	#10-32 Hex Flange Nut w/ Locking Serations (2)
	763AERP35NS	Drawer Liner Kit		763BERP5000	PowerBank Accessory Kit
	8-05388ALRMS	Ball Bearing Slide Set 26-3/4" (snap-in style) (17)	B1,B2	763AFM012	1/4" Foam Pad kit (adhesive backed) (3)
	10-00275B	TR,CSL SLVR BRIT 37.75 EPIQ (2)	B3,B4	763AFM013	1/2" Foam Pad kit (adhesive backed) (3)
	10-00375B	TR,CS SLVR BRIT 25.75 EPIQ	B7	1-16023	#6-20 Torx Pan Head Screw (50)
	10-00175B	TR,CS SLVR BRIT 37.75 EPIQ	B10	763J3517NS	Liner for PowerBank Charger Shelf
	8-12818A	Trim Cap-Left Corner	B13	763APA02PV	Accessory Bin (2)
	8-12918A	Trim Cap-Right Corner	B14	763APA40PV	Accessory Shelf (2)
	8-13018A	Trim Cap-Center (2)	B15	763J3519NS	Liner for PowerBank Accessory Shelf (2)
	8-30539A	ISO-RIDE Caster,Swvl 7X2 2000LB GLS/PLY (4)	B16	763AFM02	Foam Insert for Accessory Bin
	8-30639A	OPTIONAL ISO-RIDE Caster,RGD 7X2 2000LB GLS/PLY	B17	2-11257A	Cable Clamp (8)
	1-01816A	5/16-18 X 1-1/4 Bolt (for Casters) (16)	B18	1-141	Washer #6 (20)
	8-36762C	Warning Label_EPIQ (2)		763AWH18	Power Line Cord
A1	763AWH1	PowerBank Wire Harness Assembly	B9	1-15323	#10-16 x .50 Hex Washer Head Screw (12)
A2	1-24333A	#4-40 Hex nut w/lockwasher (6)	B11	763APA01APV	Charger Shelf
A3	2-14457A	Nylon cable tie (6)		763APA03AS	Holster Assembly (6)
A4	1-57409A	#4-40 Flat head socket cap screw (6)	B12	763APA03APV	Tool Bar
A5	763AWH10PV	Harness Bracket	B8	763APA06	Tool Holder L Bracket Set (6)
A6	763AWH19PV	Harness Bracket		763AA05S	Holster Assembly (6)
A7	1-03825AR	Grounding Screw (2)	B5	763AFM011	Holster Foam Base (6)
A8	763AW20	Electrical Cover	B6	763APA05	Holster (6)
A9	1-11858	1/8" rivet (2)		763AWH28	Power Pigtail for Stainless Steel PowerTop
A10	1-35706A	#10-32 Hex screw, thd cutting (2)		KWSH3076BST	76" Stainless Steel PowerTop with PowerHouse
A11	8-36662A	Ground Decal		KWSN3076ACR	OPTIONAL Rubber Top Mat
A12	763AWH17	PowerStrip			
A13	29AM1299	Wear Bar Kit			

Stock Number

Description

PN286708	Optional Touch-up Paint, Green Mica (For PAW suffix)
PN2-83408	Optional Touch-up Paint, Red (For PBO suffix)
PN2-84208	Optional Touch-up Paint, Black (For PC suffix)
PN286308	Optional Touch-up Paint, Royal Blue (For PCM suffix)
PN2-87308	Optional Touch-up Paint, Midnight Blue (For PDG suffix)
PN2-87808	Optional Touch-up Paint, Ultra Yellow (For PES suffix)
PN2-87408	Optional Touch-up Paint, Purple (For PEV suffix)
PN2-809508A	Optional Touch-up Paint, Candy Apple (For PJH suffix)
PN2-809808A	Optional Touch-up Paint, Extreme Green (For PJJ suffix)
PN2-809908A	Optional Touch-up Paint, Electric Orange (For PJK suffix)
PN2-810208A	Optional Touch-up Paint, Arctic Silver (For PKS suffix)
PN2-84508	Optional Touch-up Paint, Cranberry (For PM suffix)
PN285208	Optional Touch-up Paint, White (For PU suffix)

*Paint Codes: **PBO** = Red, **PAW** = Green Mica, **PC** = Black, **PCM** = Royal Blue, **PDG** = Midnight Blue, **PES** = Ultra Yellow, **PEV** = Deep Purple, **PJH** = Candy Apple, **PJJ** = Extreme Green, **PJK** = Electric Orange, **PKS** = Arctic Silver, **PM** = Cranberry, **PU** = White