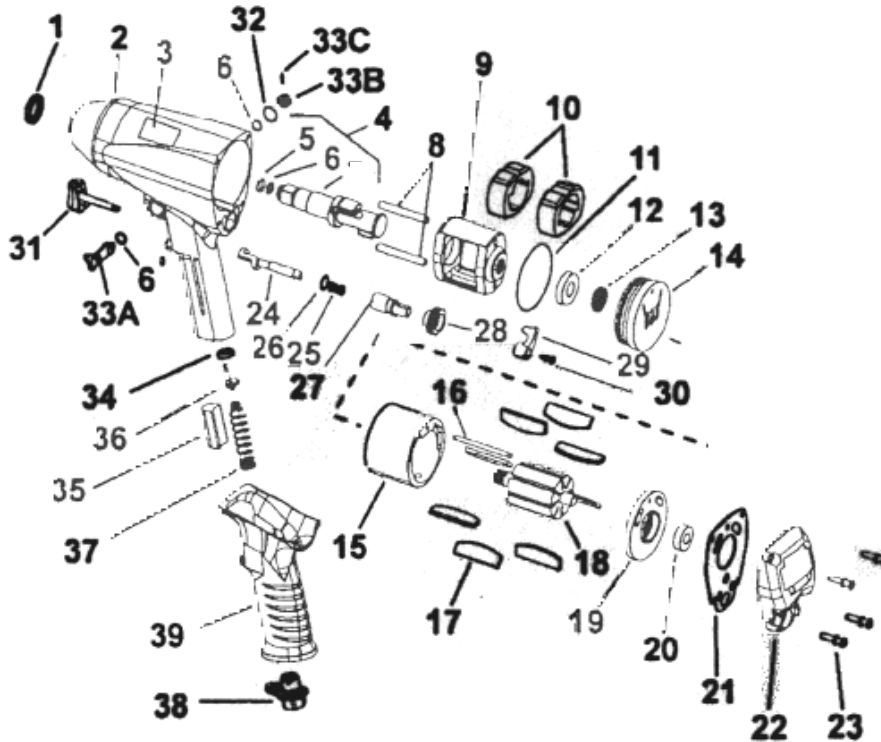


PARTS SUPPLEMENT TO:

FILE INDEX: 30.4  
 IM6500HP

**IM6500HP - 1/2" Drive Air Impact Wrench**



- WARNING**
- Wear safety goggles (operator and bystanders).
  - Wear hearing protection (operator and bystanders).
  - Avoid prolonged exposure to noise.
  - Avoid prolonged exposure to vibration.
  - Read instructions before using power tools.
  - Avoid breathing power tool exhaust.

Key	Stock Number	Description	Key	Stock Number	Description
1	ME6A29	Oil Seal	24	IM5100-9B	Reverse Valve
2	IM6100-1AR	Housing Assembly (includes Valve Bushing, Trigger Bushing, & Nose Bushing)	25	ME1A234	Reverse Valve Spring
3	SS1649	Warning Label	26	ME7B52	Regulator O-Ring
4	IM5100-12R	Anvil Assembly (includes keys 5 through 6 (anvil included))	27	IM5100-16	Regulator Valve
5	ME7A97	Retaining Ring	28	IM6100-17	Regulator Knob
6	ME7B3	O-Ring (3)	29	IM6100-10	Reverse Lever
8	IM5100-14	Pin (2)	30	ME3L27	Reverse Lever Screw
9	IM5100-11A	Impact Mechanism Frame	31	IM6100-50	Trigger Assembly
10	IM5100-13	Impact Dog (2)	32	ME5D9	Spring Washer
11	ME7B91	Front End-Plate O-Ring	33a	IM6100-31	Bypass Valve
12	ME11A3J	Front Bearing	33b	IM6100-32A	Bypass Knob
13	ME6A12	Oil Seal	33c	ME2D170	Pin
14	IM5100-4	Front End-Plate	34	IM6100-22	Trigger Valve Seat
15	IM5100-7	Cylinder	35	IM6100-33	Muffler
16	ME2A104	Alignment Pin	36	IM6100-20	Trigger Valve
17	IM510030A-8V	Vane Set	37	ME1A226	Trigger Spring
18	IM5100-6A	Rotor	38	ME6F6	Air Inlet Bushing Assembly (includes Muffler Retaining Plate O-Ring, Washer, & Air Inlet Bushing)
19	IM5100-5	Rear End Plate	39	IM6100-28A	Cushion Grip Handle
20	ME11A45	Rear Bearing	-	YA980	Boot (not shown)
21	IM5100-3	End Cap Gasket			
22	IM6100-2R	End Cap			
23	ME3R6A	End Cap Screw w/Lock Washer (4)			