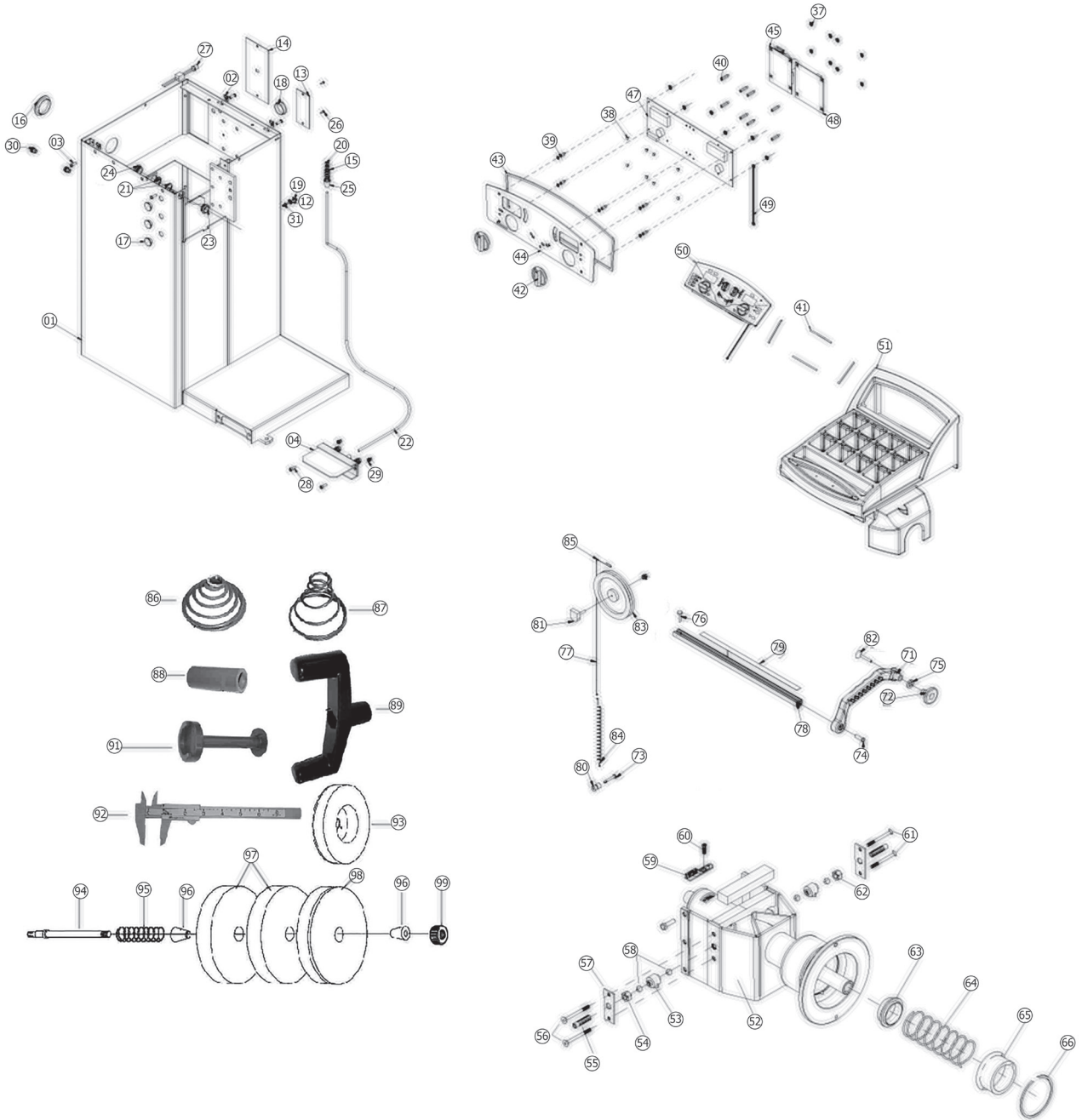




EEWB308B - Wheel Balancer



WARNING



Read instructions before use.

(Con't on page 2)
Brand Marketing, Kenosha, WI

EEWB308B - Wheel Balancer

<u>Key</u>	<u>Stock Number</u>	<u>Description</u>	<u>Key</u>	<u>Stock Number</u>	<u>Description</u>
01	EAS2027G00A	Cabinet Weldment - S1a	57	1-2967*	Pretension Spring (2)
02	1-6739	Nut - Tinnerman, 1/4 - 20 Type J (4)	58	8-1144*	Ball, Steel (4)
03	1-44009A	Screw - BHCS - 1/4 - 20x7/8 (4)	59	EAA0260D09A*	Encoder PCB
04	EAA0263G06A	Brake Pedal Assy	60	1-13004	Screw Phillip Pan HD M 4 X 6
12	1-1548	Washer - 6mm Sp - Ext	61	1-17403	Screw Hex Socket / Countersunk M 4 X 25 (2)
13	EAS2021J05A	Panel - Cover, Wheel Access Hole	62	1-4034	Nut - Hex M 10 X 1 DIN 439
14	EAS2021J04A	Panel - Cover, Elec Access Hole	63	EAC0058D03A	Spring Centering Ring
15	1-6668	Spring Compression	64	1-6498	Spring - Compression 5 X 63 X 120
16	1-2676	Plug - Hole 2"Dia Black	65	EAS2025D14A	Spring Case Deep Draw
17	8-7216	Plug - Hole 16mm (3)	66	1-13077	Snap Ring
18	1-3176	Plug - Hole, Plastic 1.5"		EAM0005D06A*	Brake Ring (2)
19	2-23201	Terminal - Lug, Pop Rivet		1575*	Brake Solenoid
20	1-11633	Hex Nut (2)		EAA0260D11A	Brake Lever
21	1-13877A	Ring - Snap, .93 X .044 (2)		EAW0239D00A*	Ribbon Cable Vibratory
22	EAA0260D58A	Cable - Brake S1	71	EAC0053J03A	Arm - Sape
23	EAM0005D39A*	Bushing - Inside Sape	72	EAC0058D11A	Disk Touching
24	EAM0005D38A*	Busing - Outside Sape	73	8-1940	Pin - Push In, Nylon, .17 X 1.06
25	EAC0053J15A	Brake Spacer	74	1-3824	Screw - M6 X 12mm Pan Hd
26	1-3724	Screw - M5 X 10, Thread Forming (4)	75	1-13044A	Washer - Flat Nylon Blk
27	EAW0240G08A	Cable Assy - Internal	76	1-13609	Screw - M4 X 16 - 8.8 - A2j Din 912
28	1-16309	Screw - SHCS - M6 X 16mm 8.8 (2)	77	2-07557A	Sleeve - Compression, Oval
29	1-17559A	Nutsert - M - 6 (2)	78	EAM0005D36A*	Rod - Sape, S1
30	1-17659A	Nutsert - M10 (4)	79	EAL0345D01A*	Measure Tape - 1D Sape
31	1-7558	Rivet - Pop	80	EAM0005D35A*	Reel - Guiding Sape
	7-14201A	Adapter - AC 120Vac - 9Vac, 1.9a	81	EAA0266D20A*	Rotative Transducer - 10ohm Assy
37	1-15033	Nut - Keps, M3 - .5 (14)	82	1-3624	Screw - 5.0 X 40mm, Self Tap
38	1-31106A	Screw - PHMS, M3 - .25mm (8)	83	EAC0058D06A	Reel - Rope 290mm
39	1 - 11062A	Spacer - 1/4" X 3/8" (5)	84	1-03267A	Tension Spring 1D - Sape
40	1 - 10962A	Spacer - 1/4" X 3/4" (8)	85	6-00404A	Rope - Hemingway Dyneema, Typ40 (2)
41	5 - 8426A2	Strap - 1/4" Velcro (blk) Loop (1ft)	86	1-07069A	Spring
42	1591-01	Knob - Black, D Shaft (2)	87	3607-01	Spring
43	5-8426A1	Strap - 1/4" Velcro (blk) Hook (2ft)	88	3609-01	Spacer - M/C shaft
44	EAA0255J00A*	Switch - Membrane, with Sheet Metal Back	89	EAC0054P14A	Spin Hand Crank handle
45	EAP0192P30A*	PCB Assembly - Power Interface		EAM0006G16A	Bolt - Crank handle (Not Shown)
	2-13851	Fuse, 1.6 Amp	91	EAM0005D62A	Extension Guage
47	EAP0192P40A*	PCB Assembly - Display	92	8430-02	Caliper M/C
48	EAP0201D00C*	PCB Assembly - Processor	93	EAA0255J43A	Flange
49	EAW0233J00A*	Wire Assembly - Grd	94	EAM0003J33A	Shaft 14mm
50	EAA0255J07A*	Display Assembly - Snap-on Handspin	95	EAM0084J18A	Spring
51	EAC0053J00A	Tray - Weight, Snap-on Handspin	96	1387	Cone (2)
52	EAA0332G65A*	Vibratory Ass'y, SOT Handspin	97	1389-01	Pressure Disc (2)
53	EAA0260D59A*	Transducer	98	1389-02	Pressure Disc
54	1-11833	Nut-Hex M 10 X 1 DIN 934	99	1388	Ring Nut
55	EAM0005D07A	Setscrew - Hex Socket M 10 X 1 (2)			
56	1-19903A	Screw Hex Socket / Countersunk M 4 X 65 (2)			

