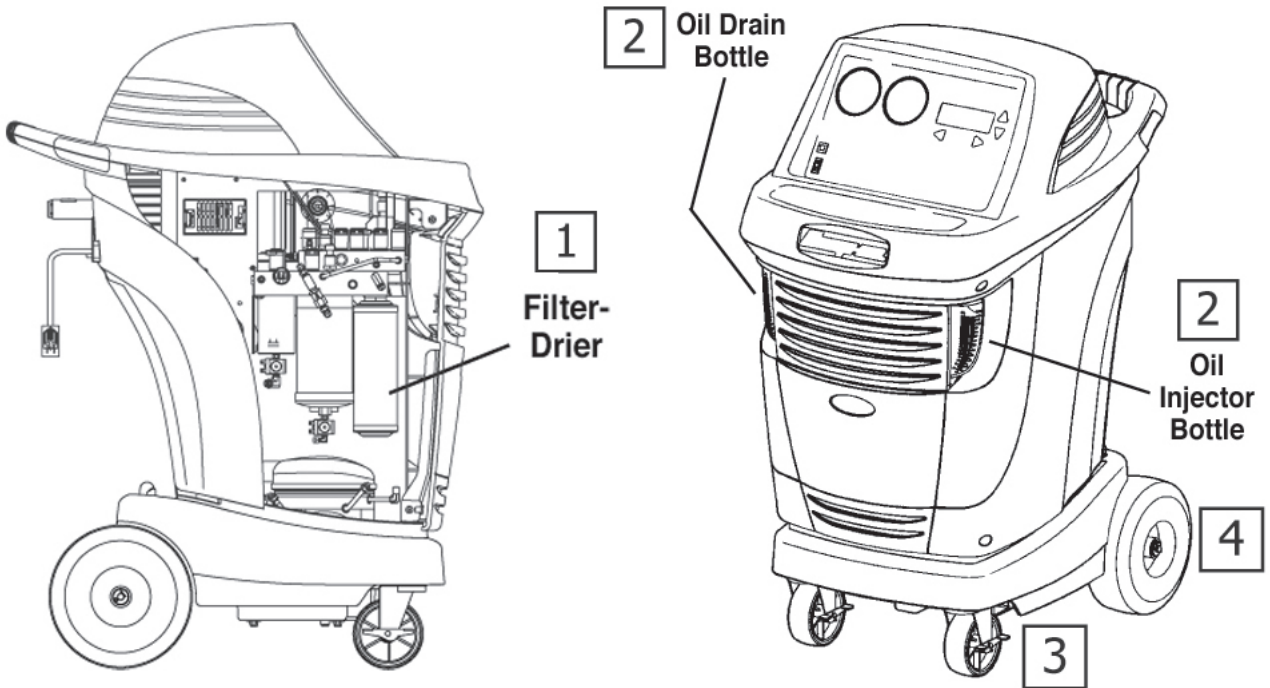


EEAC324B - ECO Plus Air Conditioning Recycler



<u>Key</u>	<u>Stock Number</u>	<u>Description</u>
1	EEAC325A1	FILTER DRIER, SPIN-ON
-	EEAC325B2	EXTRA LONG HIGH SIDE HOSE WITH COUPLER (not shown)
-	EEAC325B3	EXTRA LONG LOW SIDE HOSE WITH COUPLER (not shown)
2	EEAC325A4	OIL DRAIN OR OIL INJECTOR BOTTLE
-	EEAC325A5	HIGH SIDE SERVICE COUPLER (not shown)
-	EEAC325A6	LOW SIDE SERVICE COUPLER (not shown)
-	EEAC324A7	CALIBRATION WEIGHT (not shown)
3	EEAC325A8	FRONT WHEEL
4	EEAC325A9	BACK WHEEL
-	EEAC324A1	LOW SIDE TANK ADAPTOR (not shown)
-	EEAC325ACV	NYLON COVER (not shown)

Available Consumables:
 ACT71-0A
 EAK0029C01AB

32 oz. Bottle Vacuum Pump Oil
 Compressor Oil Change Kit

For Service and Technical Support, call 1-866-769-2788



Brand Marketing, Kenosha, WI