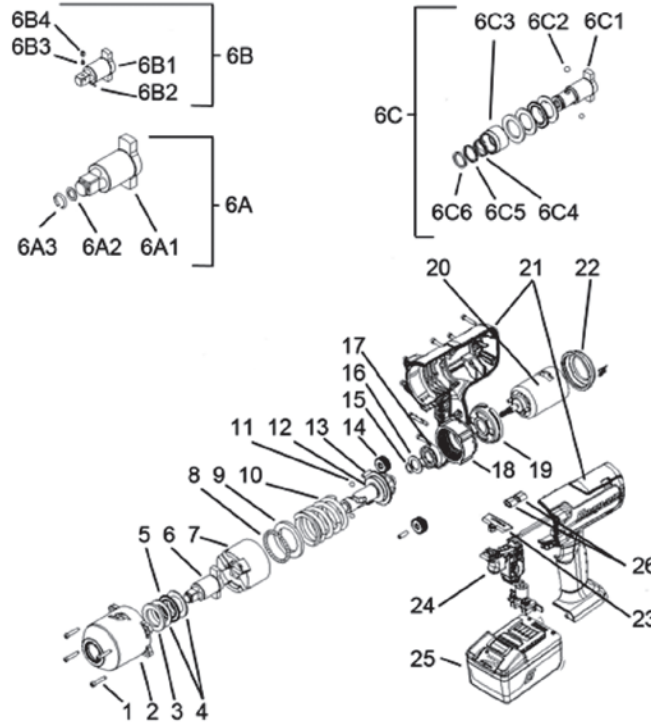


# CT7850 (CT7850DB, CT7850, CT7850M, CT7850P, CT7850QC, CT7850QCM) - 1/2" 18 Volt Impact



<u>Key</u>	<u>Stock Number</u>	<u>Description</u>	<u>Key</u>	<u>Stock Number</u>	<u>Description</u>
1	ME3L30	Thread Forming Screw (12)	7	CT7850-11	Hammer
2	CT7850-205	Nose Assembly	8	ME9A15	3/16 Balls (29)
3	CT4850-24	Rubber Washer	9	ME5A192	Thrust Washer
4	ME5A180	Thrust Washer (2)	10	CT7850-206	Spring
5	ME11B23	Thrust Bearing	11	ME9A29	Steel Ball (2)
<b>CT7850</b>			12	CT7850-162	Gear Carrier
6A	CT7850-113R	Anvil Assembly	13	ME2A141	Pin (3)
6A2	ME7B3	O-Ring	14	CT310-600R	Planet Gear Assembly (3)
6A3	ME7B23	Retaining Ring	15	ME7B52	O-Ring
<b>CT7850P</b>			16	CT30-115	Washer
6B	CT7850P-113R	Pinned Anvil	17	ME11A33A	Bearing
6B2	ME2C79	Spring Pin	18	CT7850-110	Ring Gear Assembly
6B3	ME1A238	Spring	19	CTS1850-23	Motor End Cap
6B4	M5100P26	Pin	20	CT7850-50R	Motor Assembly
<b>CT7850QC</b>			21	CT7850-100R	Housing Set
6C1	CT7850QC-113	Anvil	22	CT4850-26	Motor End Cap Rear
6C2	ME9A28	9/32 Ball (3)	23	CT7850-16	Forward/Reverse Bar
6C3	CT310QC-2	Ball Retainer	24	CT7850-217	Switch Assembly
6C4	CT310QC-3	Spring			
6C5	CT310QC-4	Ring Guide			
6C6	ME7A185	Retaining Ring			



Brand Marketing, Kenosha, WI