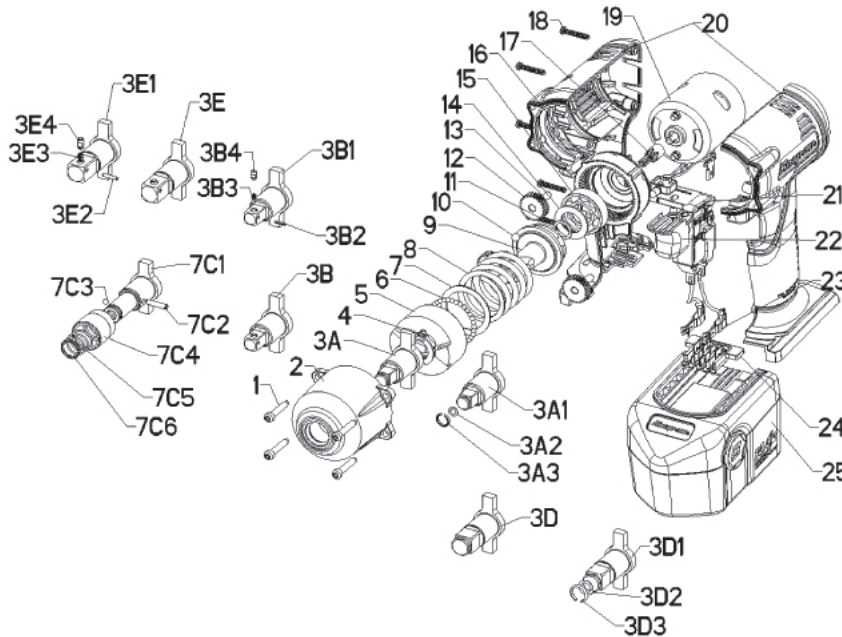


CT4410, CT4410P, CT4410QC, CTA4410, CTU4410, CTJ4410, CTE4410, CT4450, CT4450P, CTA4450, CTU4450, CTJ4450, CTE4450 - Cordless Impact Wrench



Key	Stock Number	Description
1	ME3L30	thread forming screw (4)
2	CT4410-205	nose assembly
2A	CT4410-103	nose piece (not shown)
2B	CT4410-104	bushing (not shown)
2C	ME6A36	oil seal (not shown)
CT4410		
3A	CT4410-113XMR	anvil assembly
3A1	CT4410-113XM	anvil
3A2	ME7B63	o-ring
3A3	ME7A148	steel ring
CT4410P		
3B	CT4410P-113R	anvil assembly
3B1	CT4410P-113	anvil
3B2	ME2C55	pin
3B3	ME1A267	spring
3B4	IMBFP1-1	button

Key	Stock Number	Description
CT4410QC		
3C1	CT4410QC-113	anvil
3C2	ME2C87	spring pin
3C3	ME9A1	ball
3C4	CT30QC-2	ball retainer
3C5	CT30QC-3	spring
3C6	ME7A179	retaining ring
CT4450		
3D	CT4450-113R	anvil assembly
3D1	CT4450-113	anvil
3D2	ME7B3	o-ring
3D3	ME7A179	steel ring
CT4450P		
3E	CT4450P-113R	anvil assembly
3E1	CT4450-113	anvil
3E2	ME2C79	pin
3E3	ME1A283	spring
3E4	IM5100P26	button

(Parts list continued on Page 2)



WARNING



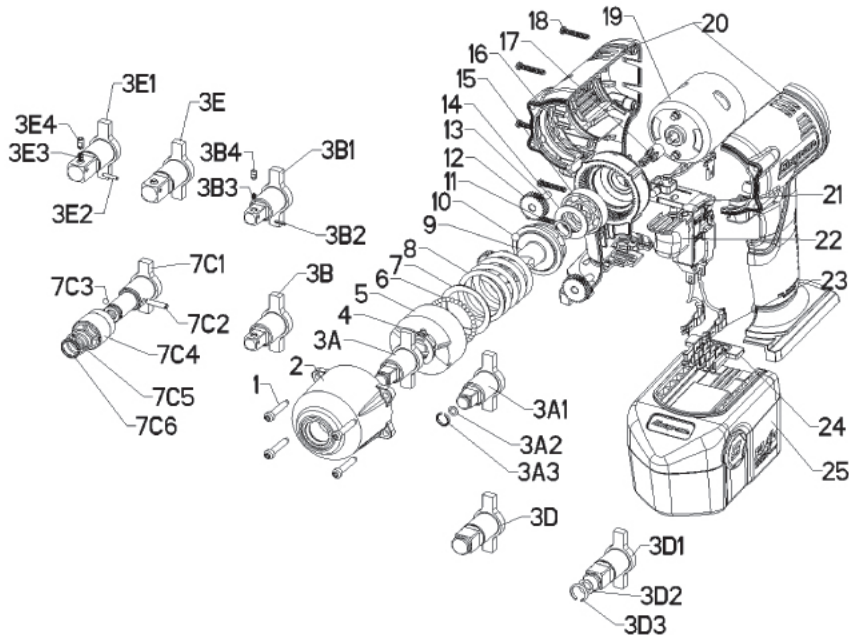
Read instructions before use.

Brand Marketing, Kenosha, WI

THERE IS A DIFFERENCE™

Snap-on and There is a Difference are trademarks of Snap-on Incorporated. All other marks are trademarks of their respective holders. ©2008 Snap-on Incorporated. All Rights Reserved. www.snapon.com.

CT4410, CT4410P, CT4410QC, CTA4410, CTU4410, CTJ4410, CTE4410, CT4450, CT4450P, CTA4450, CTU4450, CTJ4450, CTE4450 - Cordless Impact Wrench



<u>Key</u>	<u>Stock Number</u>	<u>Description</u>	<u>Key</u>	<u>Stock Number</u>	<u>Description</u>
4	CT4410-109	ball retainer	19	CT4410-50	motor assembly
5	CT4410-111	hammer	19A	CT4410-49	motor (not shown)
6	ME9A14	ball (33)	19B	CT4410-51	motor studs (2) (not shown)
7	ME5A187	washer	19C	CT4410-52	non-insulated flag (2) (not shown)
8	CT4410-206	spring	19D	CT4410-53	led assembly (not shown)
9	CT4410-162	gear carrier	20	CT4410-100R	housing set
10	ME9A23	ball (2)	21	CT4410-16	forward/reverse bar
11	ME7B52	o-ring	22	CT4410-117	switch & terminal assy
12	CT4410-36M	planet gear (3)	23	CT4850-131	terminal
13	ME2A168	pin (3)	24	CT4410-130	terminal block
14	CT30-115	washer	25	CT4145-100	battery pack
15	ME11A33A	bearing	-	ME18A78	grease (not shown) A/R
16	CT4410-110	ring gear assembly	-	CT4850HO-207	nose label (not shown)
17	ME3L33	thread forming screw (8)			
18	CT4410-108	helical pinion gear			