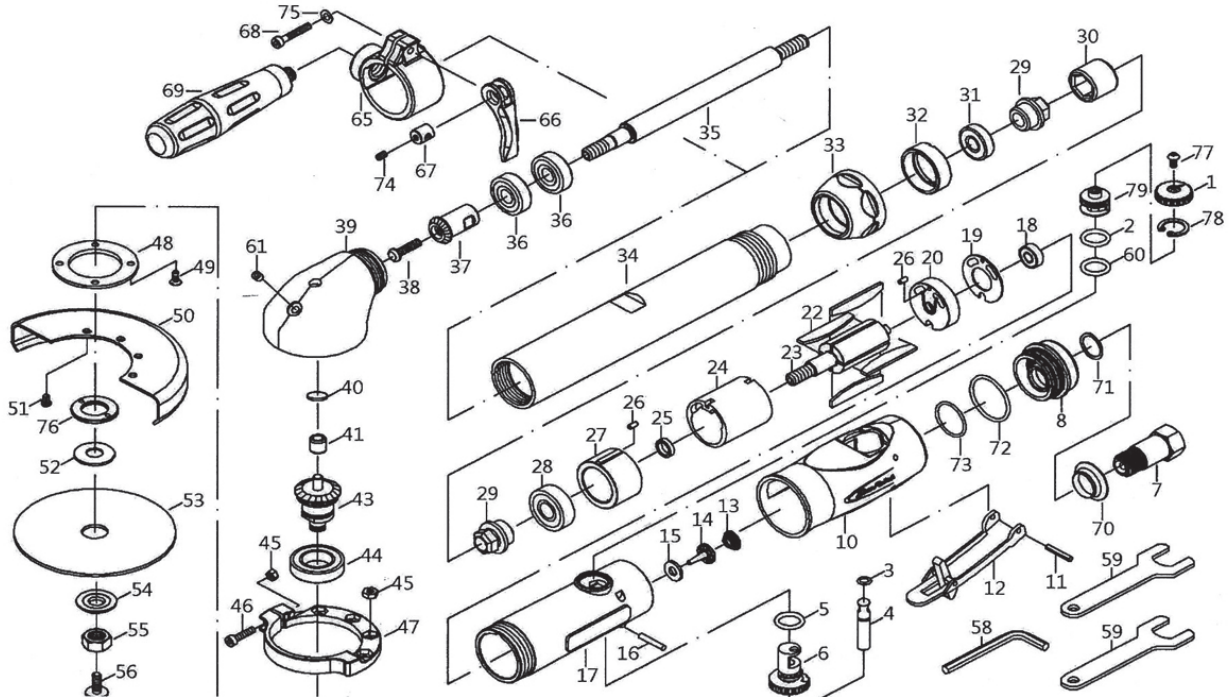


# AT154R - 4" Extended Reversible Cut-Off Tool



Key	Stock Number	Description
1	AT154R-1	REGULATOR
2	AT154R-2	O-RING (AS015)
3	AT215-8	O-RING (3.5X1.4)
4	AT154R-3	VALVE STEM
5	AT154R-4	O-RING (P10)
6	AT154R-5	REGULATOR
7	AT154R-6	AIR INLET
8	AT154R-7	EXHAUST SLEEVE
10	AT154R-8	PROTECTING RUBBER
11	AT154R-9	PIN (3x24L)
12	AT154R-10	LEVER
13	AT154R-11	SPRING
14	AT154R-12	VALVE
15	AT154R-13	WASHER (6x13.8x1.6T)
16	AT154R-14	2PC PIN (2.8x25.8L)
17	AT154R-15	HOUSING
18	AT154R-16	BEARING (626)
19	AT154R-17	WASHER (17x33.2x0.8T)
20	AT154R-18	REAR PLATE
22	AT154R-19MP4	4PC ROTOR BLADE
23	AT154R-20	ROTOR
24	AT154R-21	CYLINDER
25	AT154R-22	BEARING SPACER
26	AT215-18MP2	2PC OF PIN (2.5x6L)
27	AT154R-23	FRONT PLATE

Key	Stock Number	Description
28	AT154R-24	BEARING (6000ZZ)
29	AT154R-25MP2	2PC COUPLING NUT
30	AT154R-26	COUPLING
31	AT154R-27	BEARING (699)
32	AT154R-28	NUT
33	AT154R-29	CLAMP NUT
34	AT154R-30	SPINDLE HOUSING
35	AT154R-31	SPINDLE
36	AT154R-32MP2	2PC BEARING (609)
37	AT154R-33	PINION GEAR (15T)
38	AT154R-34	SCREW (M4x20)
39	AT154R-35	ANGLE HOUSING
40	AT154R-36	WASHER
41	AT154R-37	BEARING (HKU609)
43	AT154R-38	PINION GEAR (18T)
44	AT154R-39	BEARING (6904)
45	AT215-39MP5	5PC NUT (M4)
46	AT154R-40	SCREW (M4x16)
47	AT154R-41	HANDLE LINK
48	AT154R-42	FACE PLATE
49	AT154R-43MP4	4PC SCREW (M4x10)
50	AT154R-44	DISC COVER
51	AT154R-45MP4	4PC SCREW (M4x6)
52	AT154R-46	NUT
53	AT154RHLMP	4" Cutting Wheel
54	AT154R-47	WASHER

Key	Stock Number	Description
55	AT154R-48	NUT
56	AT154R-49	SCREW (M5x10)
58	AT154R-50	HEX (4MM)
59	AT154R-51MP2	2PC STOP SPANNER (17mm)
60	AT154R-52	O-RING (P16)
61	AT215-30	OIL CUP
65	AT154R-53	HANDLE LINK
66	AT154R-54	TRIGGER
67	AT154R-55	BUSHING
68	AT154R-56	SCREW (M4x22L)
69	AT154R-57	HANDLE
70	AT154R-68	Muffler
71	AT154R-58	WASHER
72	AT154R-59	O-RING (AS125)
73	AT154R-60	O-RING (S30)
74	AT154R-61	SCREW (M3x3L)
75	AT154R-62	WASHER
76	AT154R-63	NUT
77	AT154R-64	SCREW (M4x8)
78	AT154R-65	SNAP RING (RTW-18)
79	AT154R-66	REGULATOR
-	AT154R-80	Guard Label
-	AT154R-81	Nameplate/Warning Label



WARNING



Read instructions before use.

Brand Marketing, Kenosha, WI